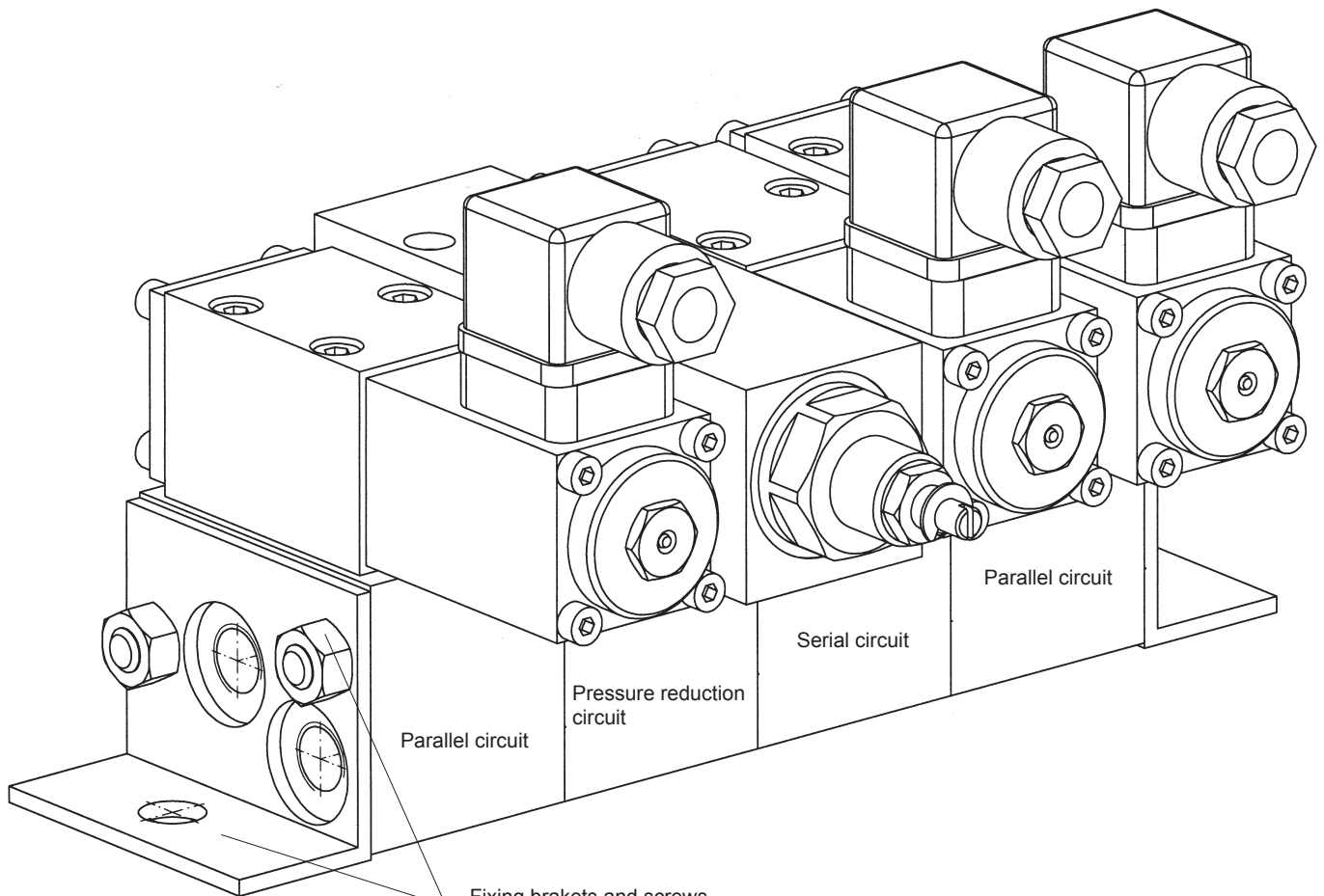
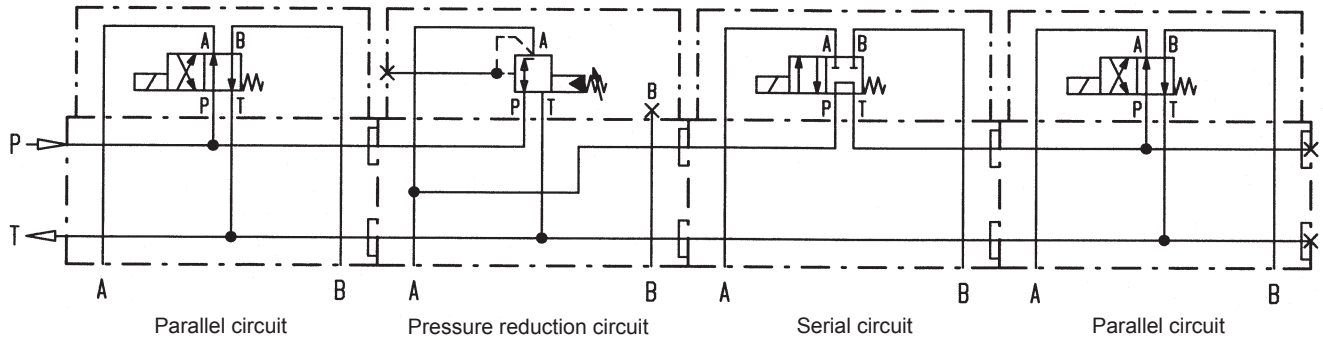


General informations on
module type manifolds blocks

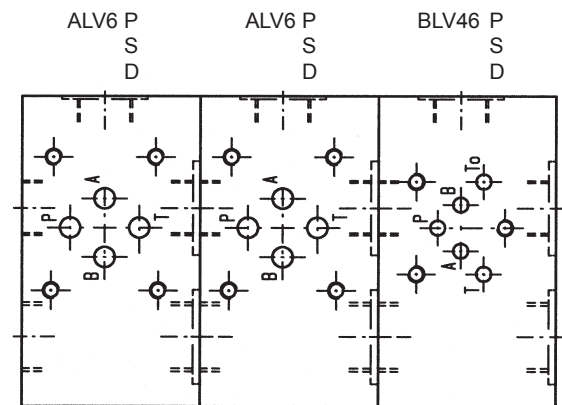
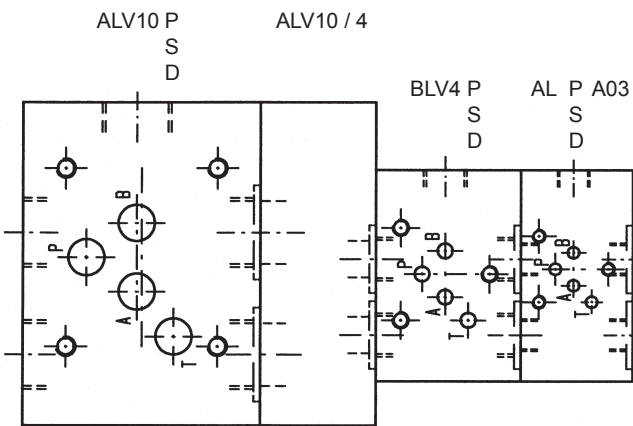
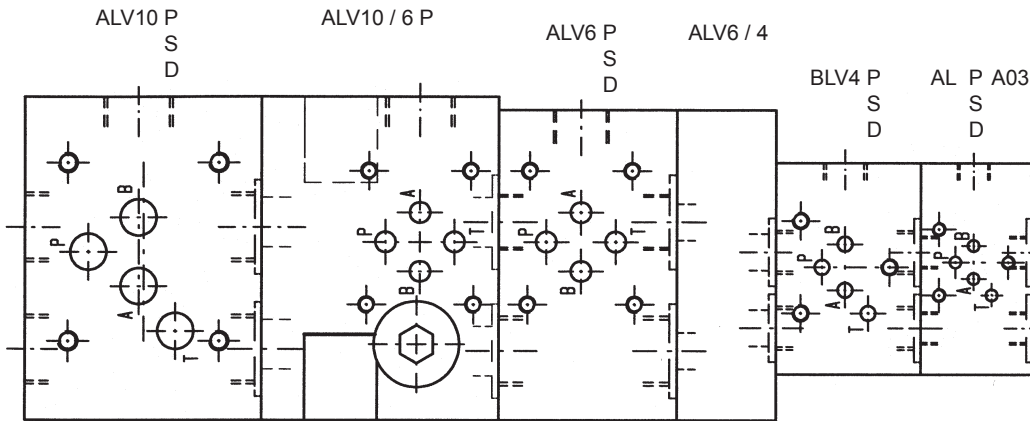
NG3-Mini[®]
NG4-Mini[®]
NG6 ISO 4401-03
NG10 ISO 4401-05

EXAMPLE OF BLOCK COMBINATIONS



Fixing brackets and screws
see data sheets: 2.9-122, 2.9-124, 2.9-126

POSSIBLE MOUNTING COMBINATIONS for NG3-Mini, NG4-Mini, NG6 and NG10:



For further informations refer to data sheets:

- AL . A03 2.9-85
- BLV4. 2.9-90
- ALV6. 2.9-100
- ALV10. 2.9-110

