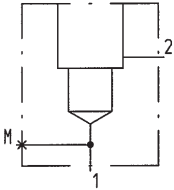
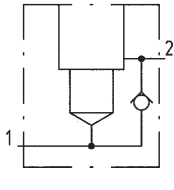


- Line mount body**
- for 2-way-valves in screw-in cartridge construction
 - $p_{max} = 400 \text{ bar}$

M18x1,5
M22x1,5
M33x2
M42x2

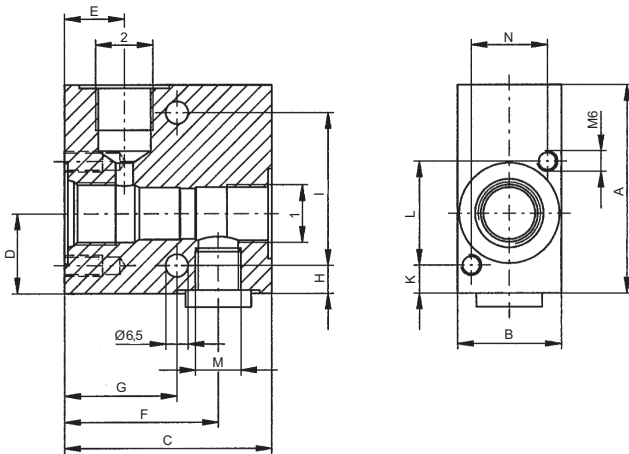
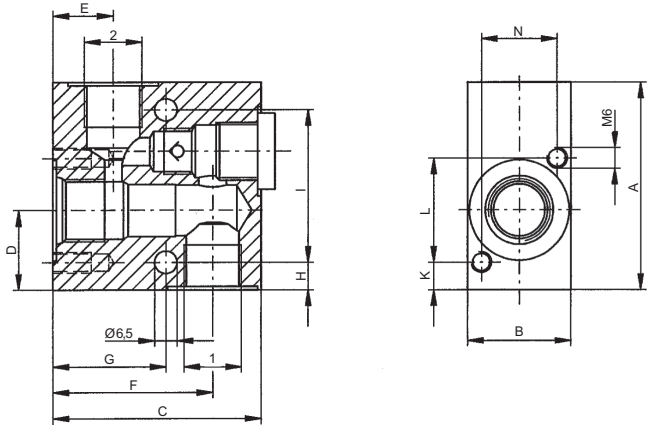
VARIATIONS
Types
A01

B01

TYPE CODE

Line mount body made of steel

| | | | | |
|------------------------|---------|----------------------------------|----------|-----------------------------------|
| Port size | G 3/8" | <input type="text" value="G38"/> | G 1/2" | <input type="text" value="G12"/> |
| | G 3/4" | <input type="text" value="G34"/> | G 1 1/4" | <input type="text" value="G114"/> |
| Cavity thread diameter | M18x1,5 | <input type="text" value="18"/> | G 3/8" | |
| | M22x1,5 | <input type="text" value="22"/> | G 1/2" | |
| | M33x2 | <input type="text" value="33"/> | G 3/4" | |
| | M42x2 | <input type="text" value="42"/> | G 1 1/4" | |

| | | |
|------------------|-----|----------------------------------|
| Variations/Types | A01 | <input type="text" value="A01"/> |
| | B01 | <input type="text" value="B01"/> |

Design index (subject to change)

 KG - #
DIMENSIONS A01

DIMENSIONS B01

TYPE A01

| Ordering code | Size | Ports | | | Dimensions (in mm) | | | | | | | | | | | | | Wight |
|---------------|---------|----------|----------|--------|--------------------|----|-----|------|------|------|------|----|----|------|----|----|------|-------|
| | | 1 | 2 | M | A | B | C | D | E | F | G | H | I | K | L | N | | |
| KGG3818-A01 | M18x1,5 | G 3/8" | G 3/8" | G 1/4" | 60 | 30 | 65 | 23 | 17.3 | 44.5 | 32.5 | 8 | 44 | 8 | 30 | 22 | 0.75 | |
| KGG1222-A01 | M22x1,5 | G 1/2" | G 1/2" | G 1/4" | 60 | 45 | 80 | 23 | 22.5 | 53.5 | 40 | 8 | 44 | 8 | 30 | 32 | 1.45 | |
| KGG3433-A01 | M33x2 | G 3/4" | G 3/4" | G 1/4" | 80 | 50 | 80 | 32.5 | 30.5 | 61.5 | 50 | 11 | 58 | 10 | 45 | 34 | 1.90 | |
| KGG11442-A01 | M42x2 | G 1 1/4" | G 1 1/4" | G 1/4" | 100 | 60 | 100 | 40 | 33.5 | 80 | 62 | 11 | 78 | 12.5 | 55 | 44 | 3.20 | |

TYPE B01

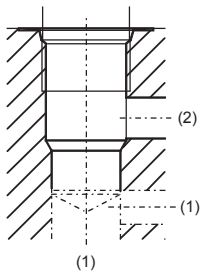
| Ordering code | Size | Ports | | | Dimensions (in mm) | | | | | | | | | | | | | Wight |
|---------------|---------|--------|--------|---|--------------------|----|----|----|------|----|----|---|----|---|----|----|------|-------|
| | | 1 | 2 | M | A | B | C | D | E | F | G | H | I | K | L | N | | |
| KGG1222-B01 | M22x1,5 | G 1/2" | G 1/2" | | 60 | 45 | 80 | 23 | 22.5 | 60 | 40 | 8 | 44 | 8 | 30 | 32 | 1.45 | |

GENERAL SPECIFICATIONS

| | |
|--------------------|------------------------------------|
| Description | Line mount body |
| Mounting | 2 location holes 2 tapped holes |
| Connection | Threated connections |
| Mounting position | see valve data sheet |
| Surface protection | zinc coated |

HYDRAULC SPECIFICATIONS

| | |
|---------------|---------------------|
| Peak pressure | $p_{max} = 400$ bar |
|---------------|---------------------|

CARTRIDGE CAVITY


| Type | Cavity according to: | For detailed cavity drawing see data sheet: |
|----------------|----------------------|---|
| M18x1,5 | ISO 7789-18-01-0-98 | 2.13-1002 |
| M22x1,5 | ISO 7789-22-01-0-98 | 2.13-1008 |
| M33x2 | ISO 7789-33-01-0-98 | 2.13-1005 |
| M42x2 | ISO 7789-42-01-0-07 | 2.13-1050 |

SCREW-IN CARTRIDGES INSTALLED

According to the type the following screw-in cartridges can be installed in the line mount bodies:

Type **Data sheet no.**

M18x1,5

| | |
|---------------|-----------|
| SDSPM18-BA/AB | 1.11-2050 |
| SDYPM18-BA/AB | 1.11-2052 |
| SDZPM18-BA/AB | 1.11-2054 |
| SVSPM18-BC/CB | 1.11-2080 |
| DN.PM18 | 2.4-510 |
| DR.PM18 | 2.4-610 |
| QA.PM18 | 2.5-510 |
| D.PPM18 | 2.6-510 |

M22x1,5

| | |
|---------------|-----------|
| SDSPM22-BA/AB | 1.11-2060 |
| SDYPM22-BA/AB | 1.11-2064 |
| SVSPM22-BC/CB | 1.11-2082 |
| SVYPM22-BC/CB | 1.11-2084 |
| QRSPM22 | 2.5-530 |
| QZ.PM22 | 2.5-535 |
| DNPPM22 | 2.6-531 |
| DNPPM22-../ME | 2.6-541 |
| QNPPM22 | 2.6-631 |
| QNPPM22-../ME | 2.6-633 |

M33x2

| | |
|---------------|-----------|
| SVSPM33-BC/CB | 1.11-2076 |
| SVSPM33-BA/AB | 1.11-2076 |
| SVYPM33-BC/CB | 1.11-2085 |
| SVYPM33-BA/AB | 1.11-2085 |
| QZ.PM33 | 2.5-550 |
| DNPPM33 | 2.6-551 |
| DNPPM33-../ME | 2.6-561 |
| QNPPM33 | 2.6-651 |
| QNPPM33-../ME | 2.6-659 |
| QSPM33 | 2.6-661 |

M42x2

| | |
|---------------|-----------|
| SVSPM42-BA/AB | 1.11-2091 |
| QNPPM42 | 2.6-690 |


CAUTION!

The performance data refer to the screw-in cartridges only. The additional pressure drop in the line mount body must be taken into consideration.

Technical explanation see data sheet 1.0-100