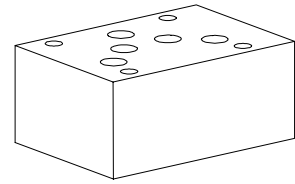


**Anti-cavitation check valve
Sandwich construction**

- $Q_{max} = 20 \text{ l/min}$
- $p_{max} = 350 \text{ bar}$

NG10
ISO 4401-05


DESCRIPTION

Sandwich type anti-cavitation check valve NG10 with interface acc. to ISO 4401-05. The external port x has size G1/8". The steel sandwich plate is phosphated.

FUNCTION

Two spring loaded check valves allow flow passage from external port x to pressure lines A and B. In opposite flow direction they close leak free.

APPLICATION

Anti-cavitation check valves are mainly used in combination with hydraulic motors and brake valves or crossover relief valves. They feed fluid back into the system via port x to compensate for leakage and to avoid cavitation on the low pressure side of the motor.

CONTENT

GENERAL SPECIFICATIONS	1
HYDRAULIC SPECIFICATIONS	1
SYMBOLS	1
CHARACTERISTICS	2
DIMENSIONS	2
PARTS LIST	2

TYPE CODE

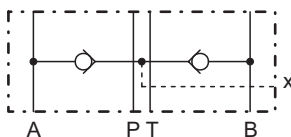
	A	RVD	10	#	<input type="checkbox"/>
International mounting interface ISO					
Type code for anti-cavitation check valve					
Nominal size 10					
Design-Index (Subject to change)					

GENERAL SPECIFICATIONS

Description	Anti-cavitation check valves
Nominal size	NG10 acc. to ISO 4401-05
Construction	Sandwich construction
Mounting	4 mounting holes for cyl. screws M6 or studs M6
Connection	Threaded connection plates Multi-flange subplates Longitudinal stacking system
Ambient temperature	-20...+50°C
Mounting position	any
Fastening torque	$M_D = 9,5 \text{ Nm}$ (quality 8.8)
Weight	$m = 1,9 \text{ kg}$

HYDRAULIC SPECIFICATIONS

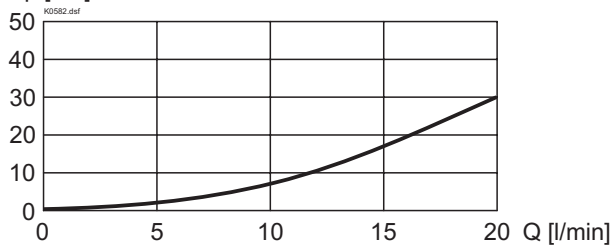
Fluid	Mineral oil, other fluid on request
Contamination efficiency	ISO 4406:1999, class 20/18/14 Required filtration grade $\beta_{10...16} \geq 75$ refer to data sheet 1.0-50/2
Viscosity range	12 mm ² /s...320 mm ² /s
Fluid temperature	-20...+70°C
Peak pressure	$p_{max} = 350 \text{ bar}$
Opening pressure	$p_{\delta} = 0,5 \text{ bar}$
Max. volume flow	$Q_{max} = 20 \text{ l/min}$

SYMBOLS


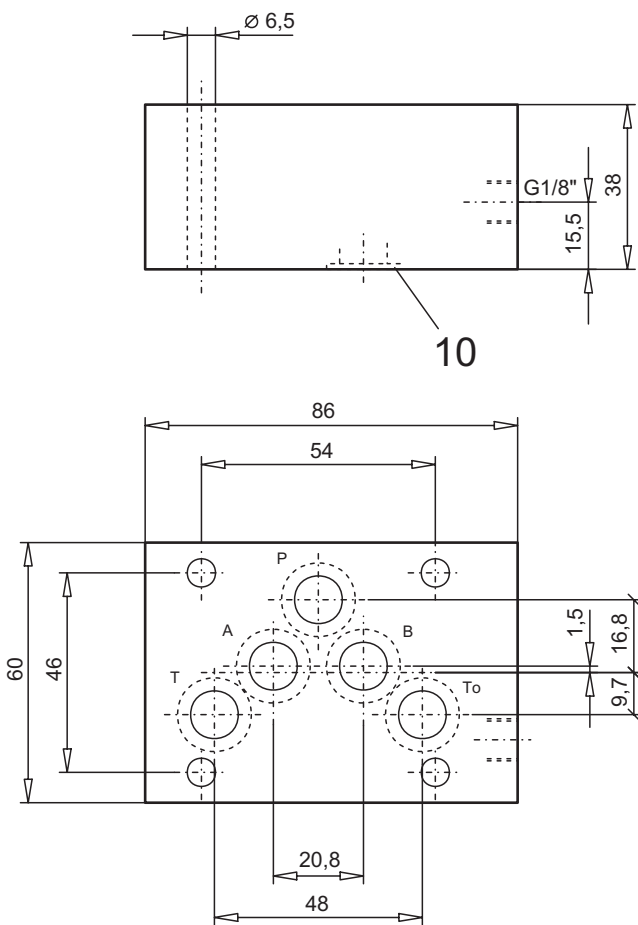
CHARACTERISTICS Oil viscosity $\nu = 30 \text{ mm}^2/\text{s}$

$\Delta p = f(Q)$ Performance limit

Δp [bar] $x \rightarrow A$ or $x \rightarrow B$



DIMENSIONS



PARTS LIST

Position	Article	Description
10	160.2140	O-ring ID 14,00x1,78

Technical explanation see data sheet 1.0-100E