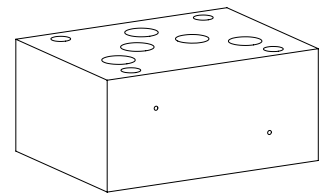


Non-return valve

Sandwich construction

- ◆ $Q_{max} = 100 \text{ l/min}$
- ◆ $p_{max} = 350 \text{ bar}$

NG10
ISO 4401-05


DESCRIPTION

Non-return valves allow a free flow in one direction and close off the opposite direction by metallically sealing. In the free flow direction, the volume flow opens the spring loaded seat cone. In the opposite direction, the spring keeps the valve closed. The required opening pressure depends on the spring force.

APPLICATION

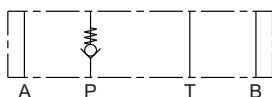
Non-return valves in the P port prevent the pump from backward rotation. When installed in the T port, the spring controlled opening pressure prevents a hydraulic system from draining to the tank.

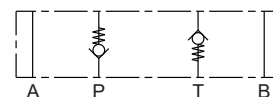
SYMBOL

ARVA10

ARVB10

ARVAB10

ARVP10

ARVT10

ARVPT10


TYPE CODE

International standard interface ISO

Non-return valve

Type list / Function

in A	<input type="checkbox"/> A	in B	<input type="checkbox"/> B	in A and B	<input type="checkbox"/> AB
in P	<input type="checkbox"/> P	in T	<input type="checkbox"/> T	in P and T	<input type="checkbox"/> PT

Nominal size 10

Sealing material

NBR	<input type="checkbox"/>
FKM (Viton)	<input type="checkbox"/> D1
NBR 872	<input type="checkbox"/> Z604

Design index (subject to change)

2.7-50

 A RV 10 - #

SEALING MATERIAL

NBR or FKM (Viton) as standard, choice in the type code

SURFACE TREATMENT

- ◆ The sandwich bodies made of steel are zinc-phosphated

STANDARDS

Mounting interface	ISO 4401-05
Contamination efficiency	ISO 4406

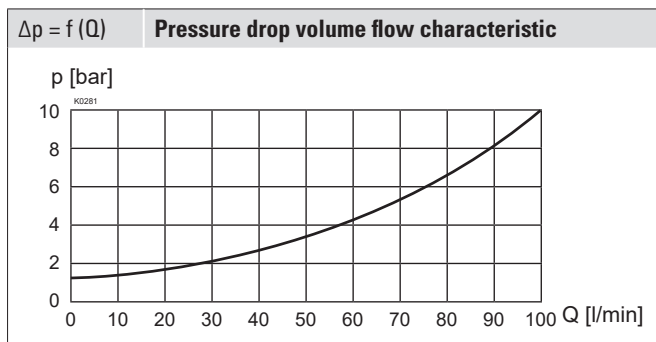
GENERAL SPECIFICATIONS

Designation	Non-return valve
Mounting	Sandwich construction
Nominal size	NG10 according to ISO 4401-05
Actuation	None
Ambient temperature	-25...+70 °C
Weight	1,2 kg

HYDRAULIC SPECIFICATIONS

Working pressure	$p_{max} = 350 \text{ bar}$
Opening pressure	$p_a = 0,8 \text{ bar}$
Maximum volume flow	$Q_{max} = 100 \text{ l/min}$
Leakage oil	Seat tight, max. 0,15 ml / min (approx. 3 drops / min) at 30 cSt
Fluid	Mineral oil, other fluid on request
Viscosity range	12 mm ² /s...320 mm ² /s
Temperature range fluid	-25...+70 °C (NBR) -20...+70 °C (FKM)
Contamination efficiency	Class 20 / 18 / 14
Filtration	Required filtration grade $\beta_{10...16} \geq 75$, see data sheet 1.0-50

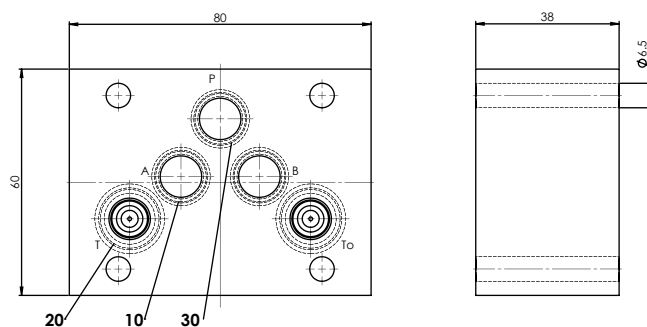
PERFORMANCE SPECIFICATIONS

 Oil viscosity $\nu = 30 \text{ mm}^2/\text{s}$


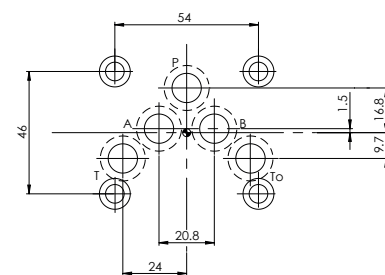
ACCESSORIES

Fixing screws	Data sheet 1.0-60
Threaded subplates	Data sheet 2.9-40
Multi-station subplates	Data sheet 2.9-70
Module type manifold blocks	Data sheet 2.9-110
Technical explanations	Data sheet 1.0-100
Hydraulic fluids	Data sheet 1.0-50
Filtration	Data sheet 1.0-50

DIMENSIONS



HYDRAULIC CONNECTION



PARTS LIST

Position	Article	Description
10	160.2120	O-ring ID 12,42 x 1,78 (NBR)
	160.6124	O-ring ID 12,42 x 1,78 (FKM)
20*	160.2132	O-ring ID 13,10 x 2,62 (NBR)
	160.6132	O-ring ID 13,10 x 2,62 (FKM)
30	160.2140	O-ring ID 14,00 x 1,78 (NBR)
	160.6141	O-ring ID 14,00 x 1,78 (FKM)

Note!



* in A, B and T, when non-return valve in A, B, AB, T or PT
 Position 30 only with ARVP10

INSTALLATION NOTES

Mounting type	Sandwich mounting 4 fixing holes for socket head screws or studs M6
Mounting position	Any
Tightening torque	Fixing screws $M_D = 8,9 \text{ Nm}$ (quality 8.8, zinc coated)

Wandfluh AG Postfach CH-3714 Frutigen
 Tel. +41 33 672 72 72 Fax +41 33 672 72 12 sales@wandfluh.com