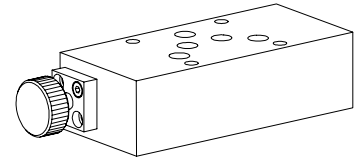


**Drain valve**
**Sandwich construction**

- $Q_{max} = 60 \text{ l/min}$
- $p_{max} = 350 \text{ bar}$

**NG10**  
ISO 4401-05


**DESCRIPTION**

Drain valve NG10 with interface according to ISO 4401-05. Sandwich design. Valves for 3 flow directions are available. The sandwich body is made from phosphated steel. The turn knob from anodised aluminium.

**FUNCTION**

A spherical, hardened closing element seals the pressurised part leak free against tank port. By turning the knob the connection to tank will be opened. Knob may be blocked in any position by a set screw.

**APPLICATION**

Drain valves are mainly used in systems with an accumulator which need to be depressurised for revisions.

**TYPE CODE**

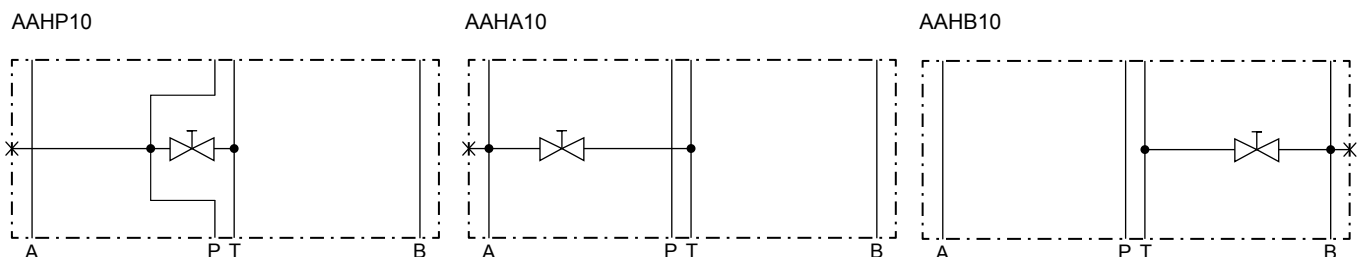
	A	AH	<input type="checkbox"/>	10	<input type="checkbox"/>	#	<input type="checkbox"/>
International standard interface ISO							
Drain valve							
Type list / Function							
P → T	<input type="checkbox"/>						
A → T	<input type="checkbox"/>						
B → T	<input type="checkbox"/>						
Normal size 10							
Threaded connection open	<input type="checkbox"/>						
Screw plug	<input type="checkbox"/>						
Minimess screw coupling	<input type="checkbox"/>						
Design-Index (Subject to change)							

**GENERAL SPECIFICATIONS**

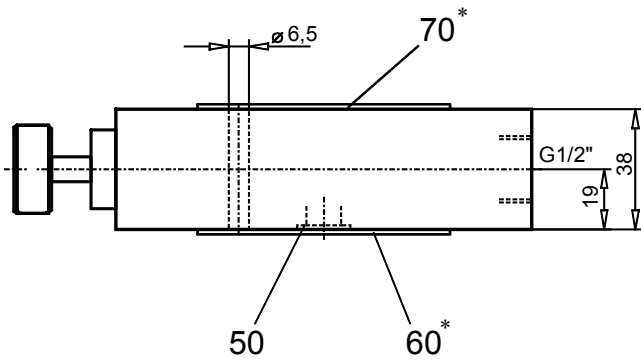
Description	Drain valve
Nominal size	NG10 acc. to ISO 4401-05
Construction	Sandwich construction
Mounting	4 holes for hexagon socket screw M6 or studs M6
Connections	Connection plates Multistation flange subplate Longitudinal stacking system
Ambient temperature	-20...+50 °C
Mounting position	any
Fastening torque	$M_D = 9,5 \text{ Nm}$ (Quality 8.8)
Weight	$m = 2,4 \text{ kg}$

**HYDRAULIC SPECIFICATIONS**

Fluid	Mineral oil, other fluid on request
Contamination efficiency	ISO 4406:1999, class 20/18/14 (Required filtration grade $\beta_{10...16} \geq 75$ ) refer to data sheet 1.0-50/2
Viscosity range	12 mm <sup>2</sup> /s...320 mm <sup>2</sup> /s
Fluid temperature	-20...+70 °C
Peak pressure in ports	$p_{max} = 350 \text{ bar}$
Peak pressure in port T	$p_{max} = 50 \text{ bar}$
Max. volume flow	$Q_{max} = 60 \text{ l/min}$

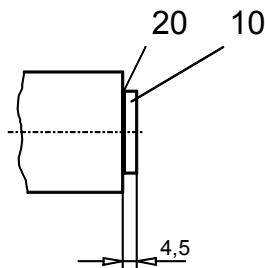
**SYMBOLS / TYPES**


DIMENSIONS

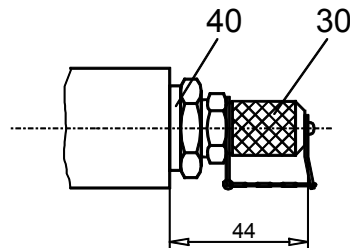


\* only AAHB10/ .

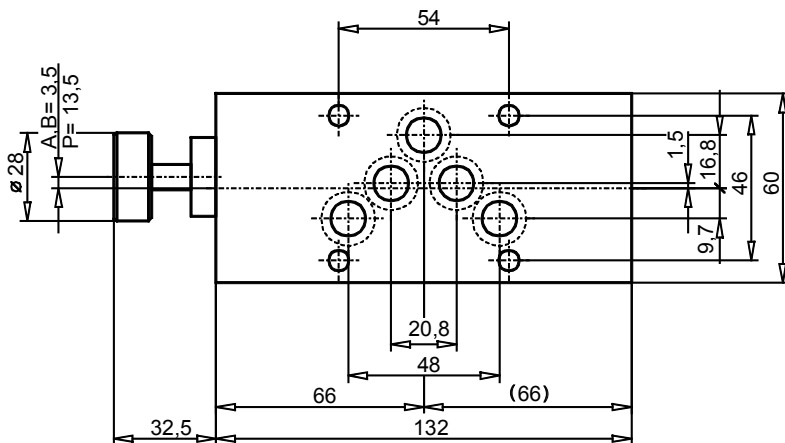
AAH.10/O



AAH.10/V



AAH.10/M



On types AAHB, P10 the adjustment is located on B-Side

PARTS LIST

Position	Article	Description
10	238.5203	Plug VSTI G1/2"-ED
30	152.9101	Mini-mess fitting 1620/1/4"
40	241.1631	Fitting RI 1/2" x 1/4"
50	160.2140	O-ring ID 14,00 x 1,78
60	173.4700	Intermediate plate AZB10
70	173.4650	Sealing plate ADB10

Technical explanation see data sheet 1.0-100