

Proportional throttle valve
Screw-in cartridge

- Direct operated, not pressure compensated
- Throttle in one flow direction
- $Q_{max} = 32 \text{ l/min}$, $p_{max} = 350 \text{ bar}$
- $Q_{Nmax} = 25 \text{ l/min}$

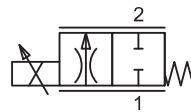
M22x1,5
 ISO 7789

TYPE CODE

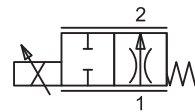
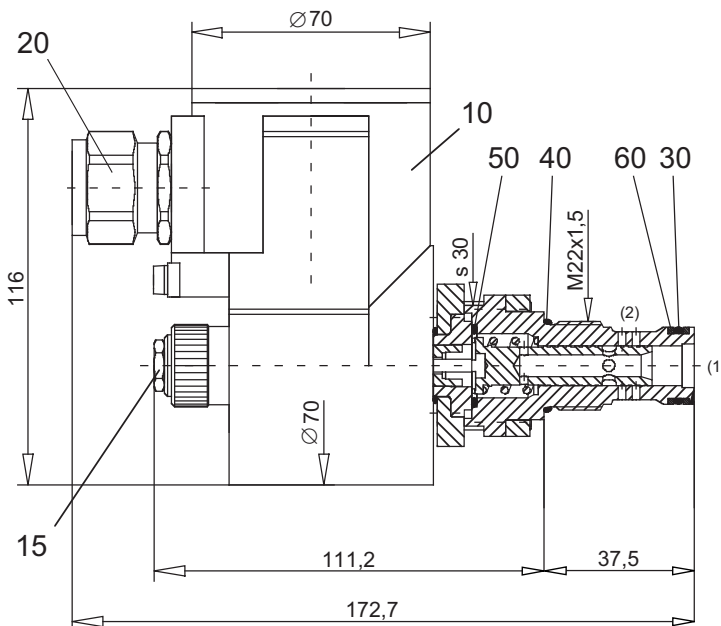
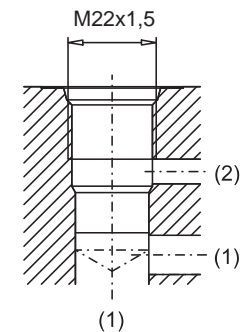
DNBPM22-25-G24/T4	DOBPM22-25-G24/T4
DNBPM22-25-G24/T6	DOBPM22-25-G24/T6
DNBPM22-6,3-G24/T4	DOBPM22-6,3-G24/T4
DNBPM22-6,3-G24/T6	DOBPM22-6,3-G24/T6

SYMBOLS

Normally closed



Normally open


DIMENSIONS / SECTIONAL DRAWING

 Cavity drawing
 ISO 7789-22-01-0-98

 For cavity details and
 cavity tools, see data sheet
 2.13-1008.

PARTS LIST

Position	Article	Description
10	207.5293	Slip-on coil 2A67W EExd IIC T4
15	253.8000	Plug with integrated manual override HB4,5
20	111.1080	Cable entry brass M20
30	160.2156	O-ring ID 15,60x1,78
40	160.2188	O-ring ID 18,77x1,78
50	160.2170	O-ring ID 17,17x1,78
60	049.3196	Back up ring RD 16,1x19x1,4