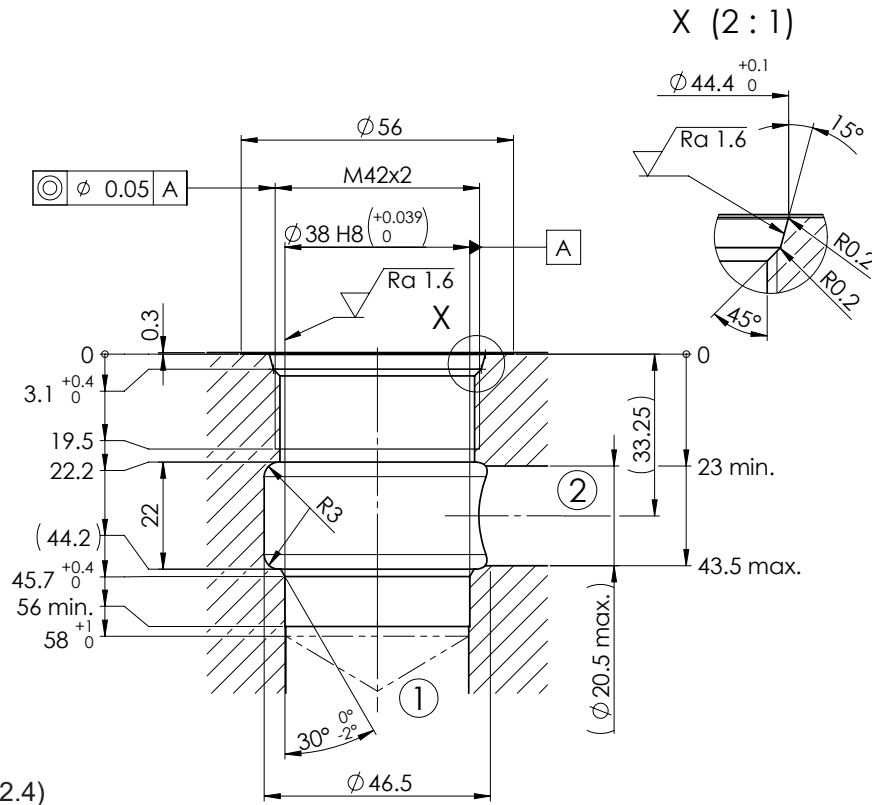
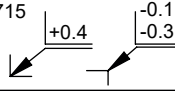
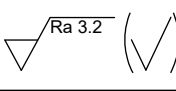


**Cartridge cavity ISO 7789-42-01-0-07 with annular groove**

**2-way-cavity**

(Drawing-no. 1-1382.4)

Edges according to ISO 13715 	Surface texture 	Length dimensions, curves, chamfers Angles Straightness, flatness Perpendicularity, symmetry Radial runout, axial runout Envelope condition acc. to ISO 14405 ⑥	General tolerances ISO 2768 m m H H H	Extract general tolerances ISO-2768-1
				Nominal dim. >0,5-3 >3-6 >6-30 >30-120
				Linear dim. $\pm 0.1$ $\pm 0.1$ $\pm 0.2$ $\pm 0.3$
				Radiuses, chamfer height $\pm 0.2$ $\pm 0.5$ $\pm 1$

**Cavity tools**
**Denomination:**                      **Article number:**                      **Content:**                      **Article number:**
**Application**
**Cartridge type:**                      **Data sheet number:**                      **Cartridge type:**                      **Data sheet number:**  
 SVSPM42                      1.11-2091