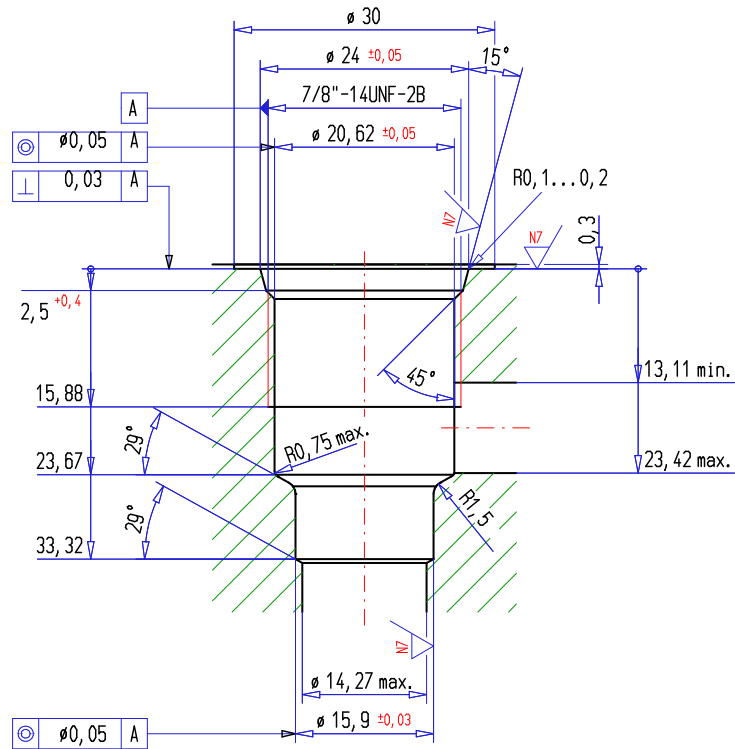
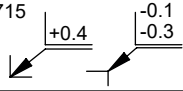
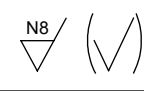


Cartridge cavity 7/8" - 14 UNF

2-way-cavity

(Drawing-no. 5-3128.4)

Edges according to ISO 13715 	Surface texture 	Length dimensions, curves, chamfers Angles Straightness, flatness Perpendicularity, symmetry Radial runout, axial runout Envelope condition acc. to ISO 14405 ©	Extract general tolerances ISO-2768-1				
			General tolerances ISO 2768	m m H H H	Nominal dim. >0,5-3	>3-6	>6-30
			Linear dim.	±0.1	±0.1	±0.2	±0.3
			Radiuses, chamfer height	±0.2	±0.5	±1	

Cavity tools

Denomination:	Article number:	Content:	Article number:
---------------	-----------------	----------	-----------------

Application

Cartridge type: BESPU10-...	Data sheet number: 2.1-590
Cartridge type:	Data sheet number: