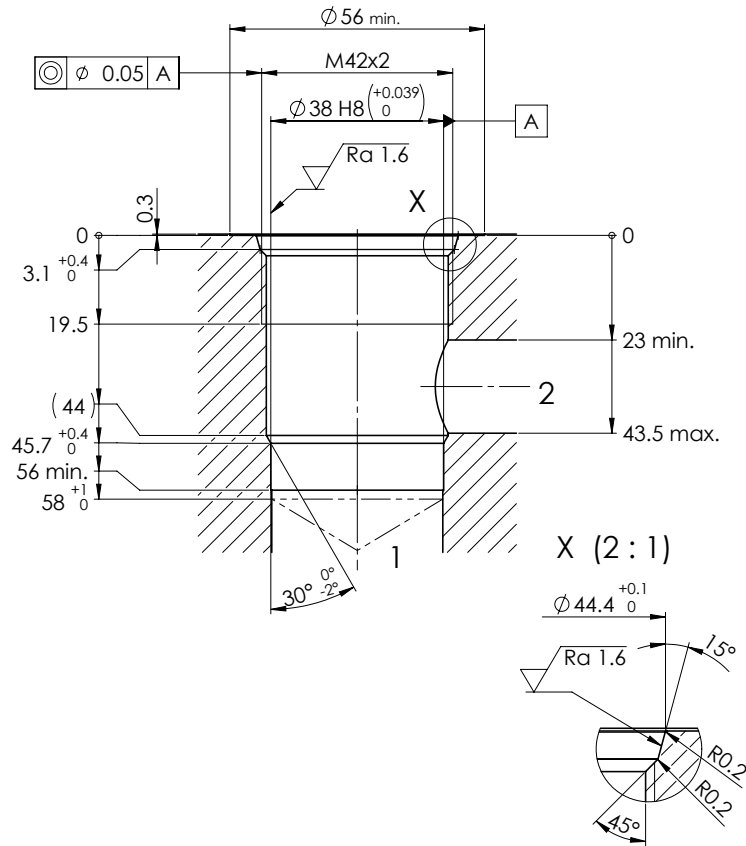
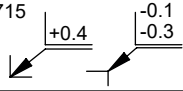
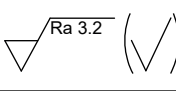


**Cartridge cavity ISO 7789-42-01-0-07**


**2-way-cavity for general function**

(Drawing-no. 1-1373.4)

Edges according to ISO 13715 	Surface texture 	Length dimensions, curves, chamfers Angles Straightness, flatness Perpendicularity, symmetry Radial runout, axial runout Envelope condition acc. to ISO 14405 ©	Extract general tolerances ISO-2768-1				
			General tolerances ISO 2768	m m H H H	Nominal dim. >0,5-3	>3-6	>6-30
			Linear dim.	$\pm 0.1$	$\pm 0.1$	$\pm 0.2$	$\pm 0.3$
			Radiuses, chamfer height	$\pm 0.2$	$\pm 0.5$	$\pm 1$	

**Cavity tools**

<b>Denomination:</b>	<b>Article number:</b>	<b>Content:</b>	<b>Article number:</b>
Ecoline 2-way M42 x 2	983.2815	Form drill Form reamer	

**Application**

<b>Cartridge type:</b>	<b>Data sheet number:</b>	<b>Cartridge type:</b>	<b>Data sheet number:</b>
SVSPM42-...	1.11-2091		
QNPPM42-...	2.6-690		