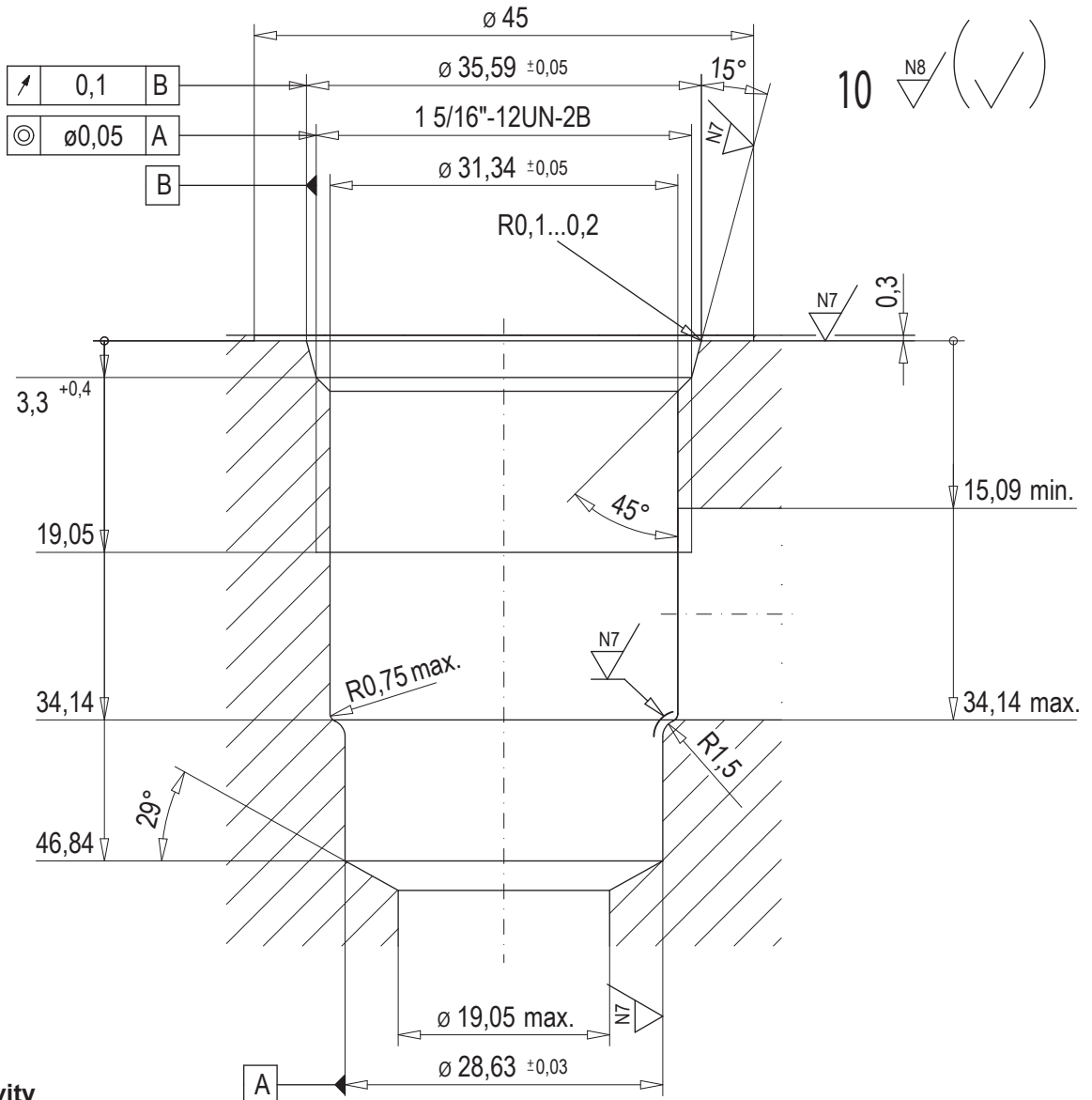


Cartridge cavity



2-way-cavity

(Drawing no. 5-3129.4)

Application

Cartridge type:
QNPPU16-...

Data sheet number:
2.6-675

Cartridge type:

Data sheet number: