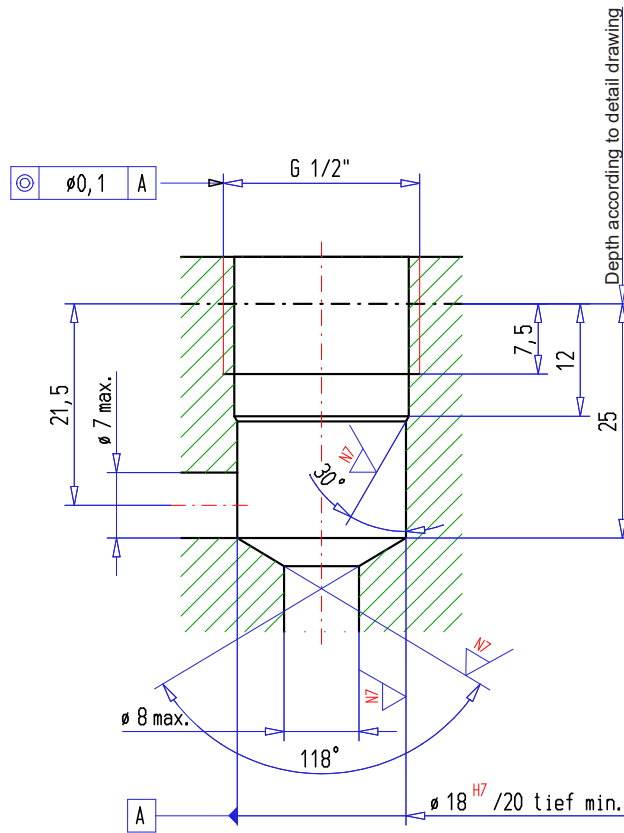
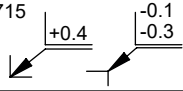
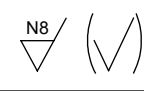


Cartridge cavity

3-way-cavity

(Drawing-no. 1-1301.4)

Edges according to ISO 13715 	Surface texture 	Length dimensions, curves, chamfers Angles Straightness, flatness Perpendicularity, symmetry Radial runout, axial runout Envelope condition acc. to ISO 14405 ©	Extract general tolerances ISO-2768-1			
			General tolerances ISO 2768	m m H H H	Nominal dim. >0,5-3	>3-6
			Linear dim. ±0.1	±0.1	±0.2	±0.3
			Radiuses, chamfer height ±0.2	±0.5	±1	

Cavity tools

Denomination:	Article number:	Content:	Article number:
---------------	-----------------	----------	-----------------

Application

Cartridge type: DWW404-... Data sheet number: 2.7-180	Cartridge type: Data sheet number:
--	---------------------------------------