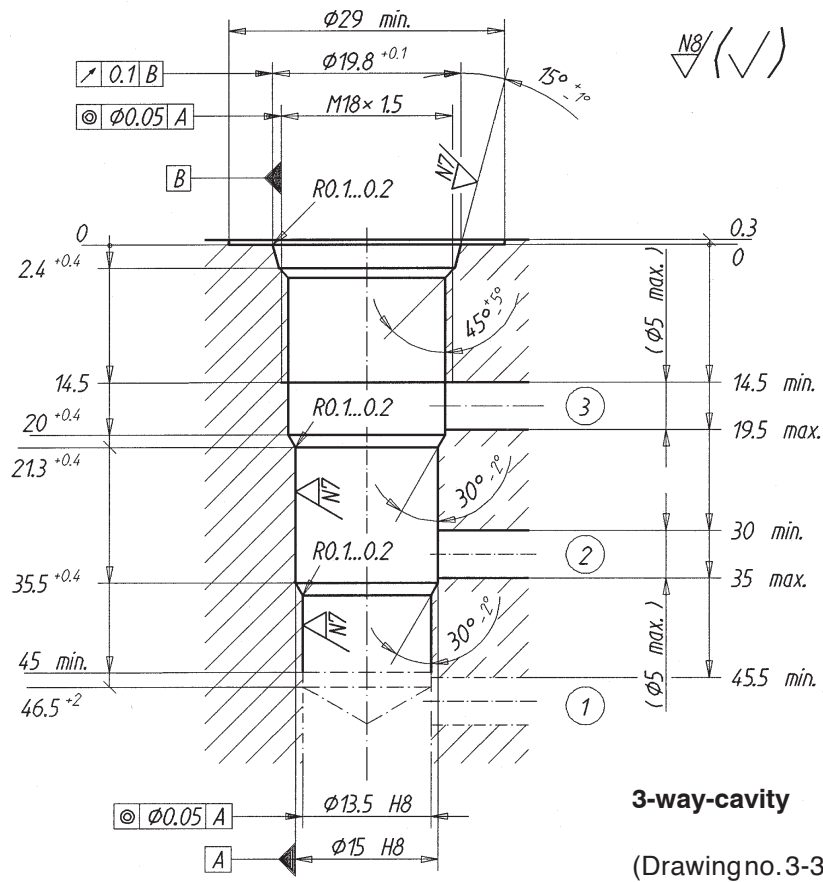


Cartridge cavity



Cavity tools

Denomination:

Form drill
Form reamer
Tap

Article number:

983.0105
983.0205
983.0600

Form tool set

consisting of; form drill, form reamer and tap

983.0805

Application

Cartridge type:

SDSPM18-FG
MV.PM18-...
MVPPM18-...

Data sheet number:

1.11-2050
2.2-510
2.3-610

Cartridge type:

Data sheet number: