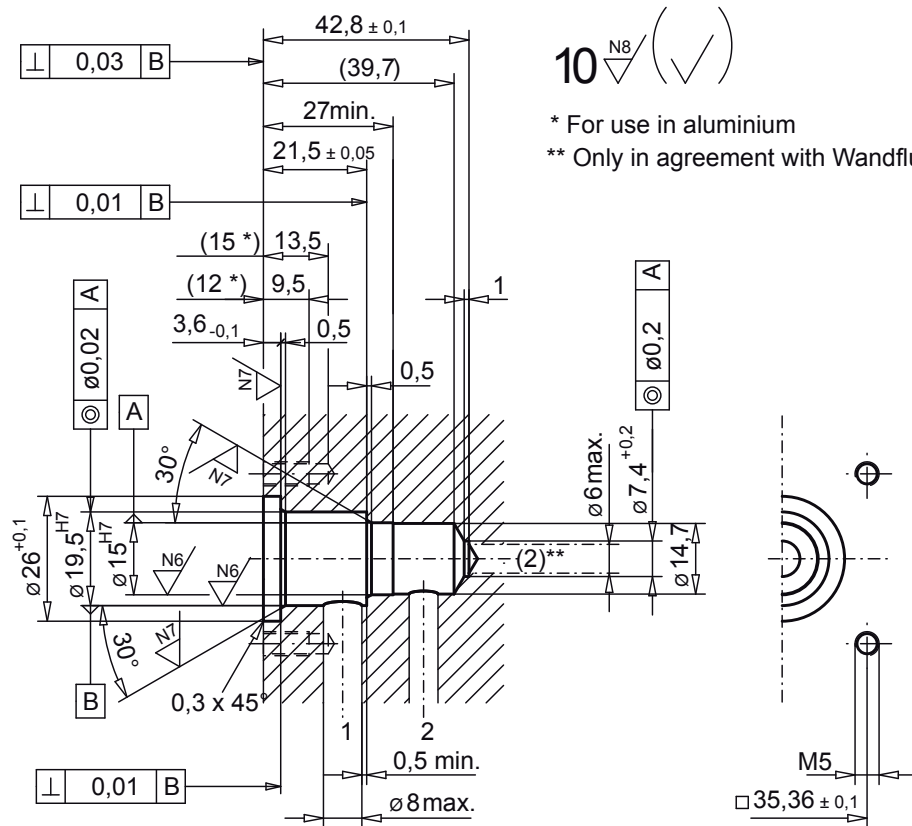


Cavity for poppet valve cartridge NG6



10^{N8} (✓)

* For use in aluminium
** Only in agreement with Wandfluh AG!

**2-way poppet valve cavity
closed when deenergised**

(Drawing no. 1-852.4)

Cavity tools

Denomination:

Form drill
Form reamer

Article number:

983.2102
983.2202

Form tool set

consisting of; form drill and form reamer

983.2802

Application

Cartridge type:

.2206-...

Data sheet number:

1.11-2030

Cartridge type:

Data sheet number: