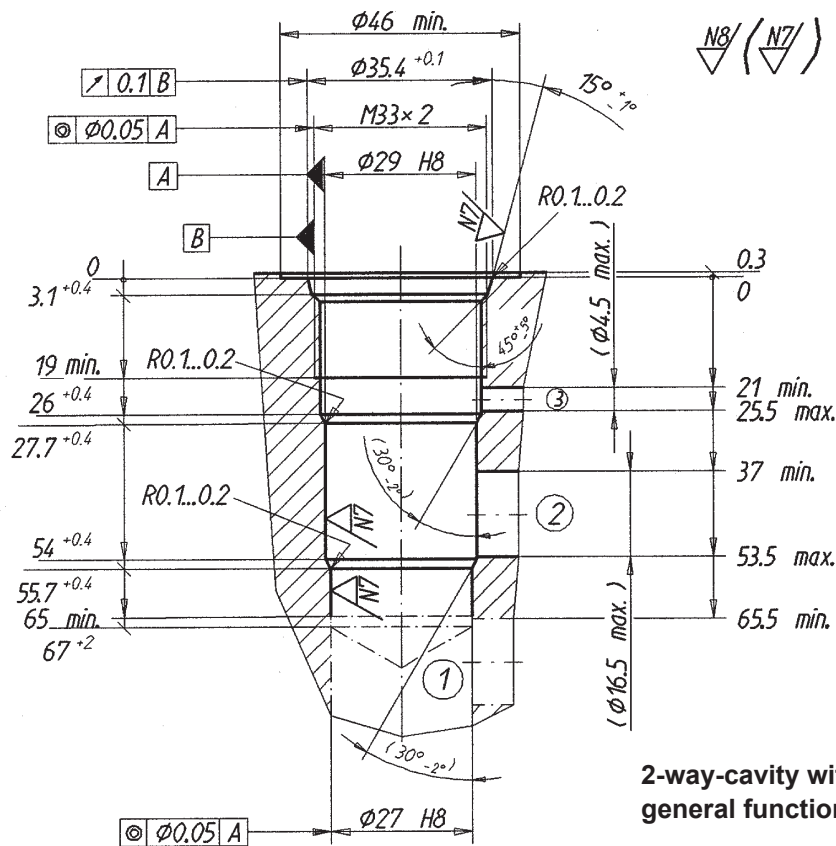


**Cartridge cavity ISO 7789-33-06-0-98**



**2-way-cavity with pilot port  
general function**

(Drawing no. 3-385.4)

**Cavity tools**

**Denomination:**

Form drill  
Form reamer  
Tap

**Article number:**

983.0106  
983.0206  
983.0602

**Form tool set**

consisting of; form drill, form reamer and tap

983.0814

**Application**

**Cartridge type:**

U.FPM33-...  
RNXP33-...

**Data sheet number:**

2.5-650  
2.7-62

**Cartridge type:**

**Data sheet number:**