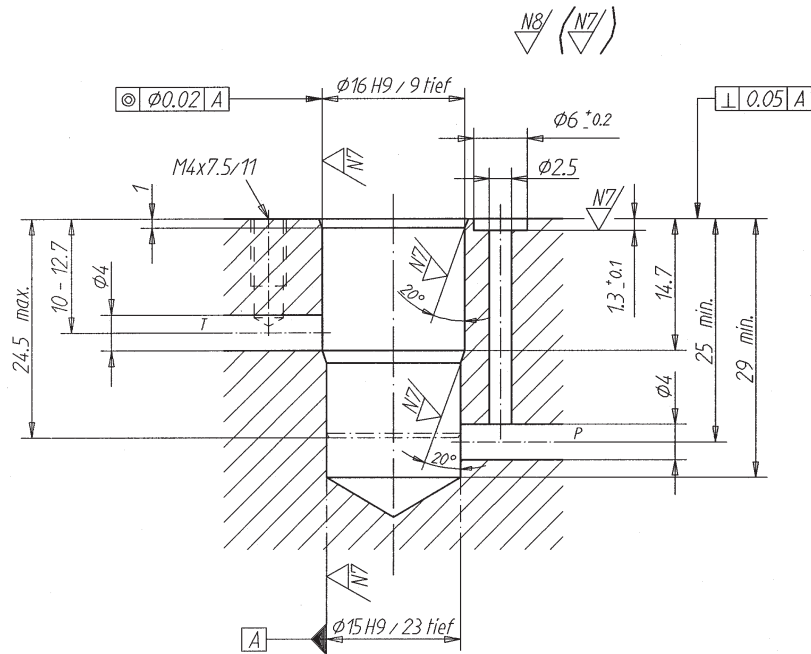
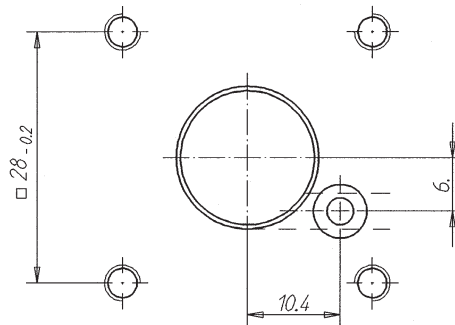


Cartridge cavity



2-way-cavity

(Drawing no. 2-464.4)



Application

Cartridge type:
EPSVd401/...

Data sheet number:
2.3-570

Cartridge type:

Data sheet number: