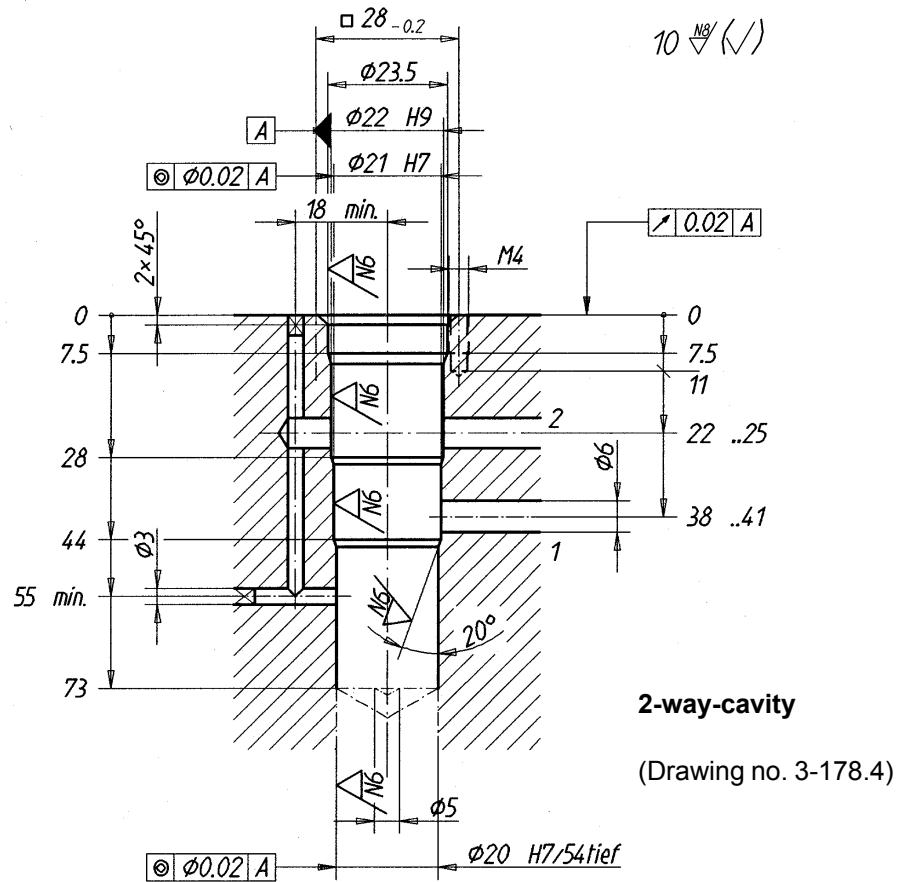


Cartridge cavity



Cavity tools

Denomination:

Form drill
Form reamer

Article number:

983.5102
983.5202

Form tool set

consisting of; form drill and form reamer

983.5802

Application

Cartridge type:

MR402-...
EMR402-...

Data sheet number:

2.5-577
2.6-677

Cartridge type:

Data sheet number: