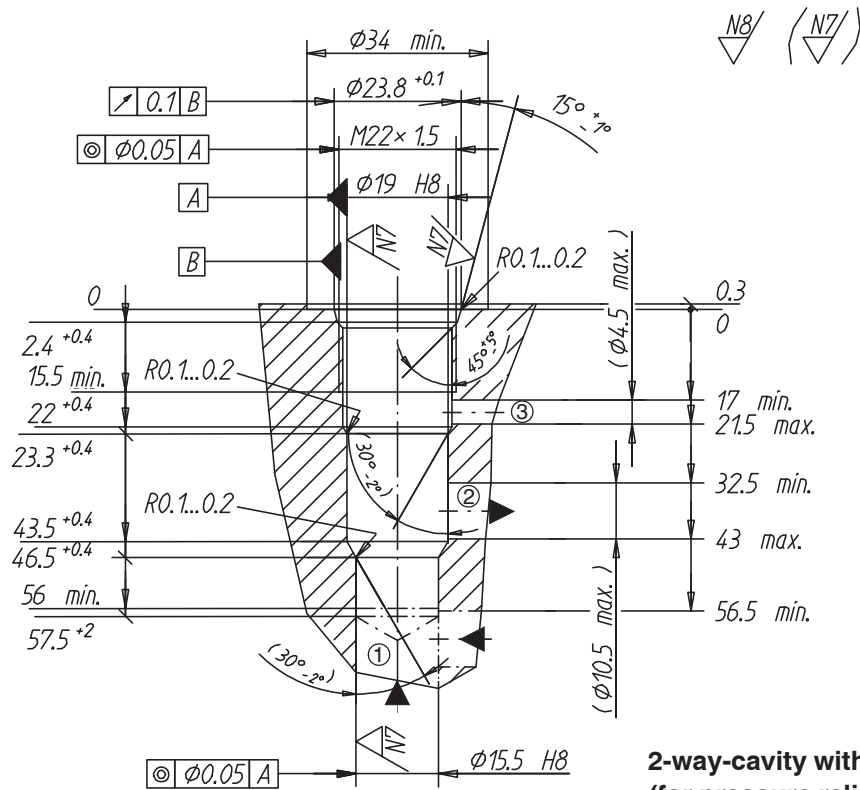


Cartridge cavity ISO 7789-22-07-0-98



**2-way-cavity with pilot pipe
(for pressure relief)**

(Drawing no. 3-397.4)

Cavity tools

Denomination:

Form drill
Form reamer
Tap

Article number:

983.4102
983.4202
983.0601

Form tool set

consisting of; form drill, form reamer and tap

983.4802

Application

Cartridge type:

BV.PM22-...-Z9

Data sheet number:

2.1-534

Cartridge type:

Data sheet number: