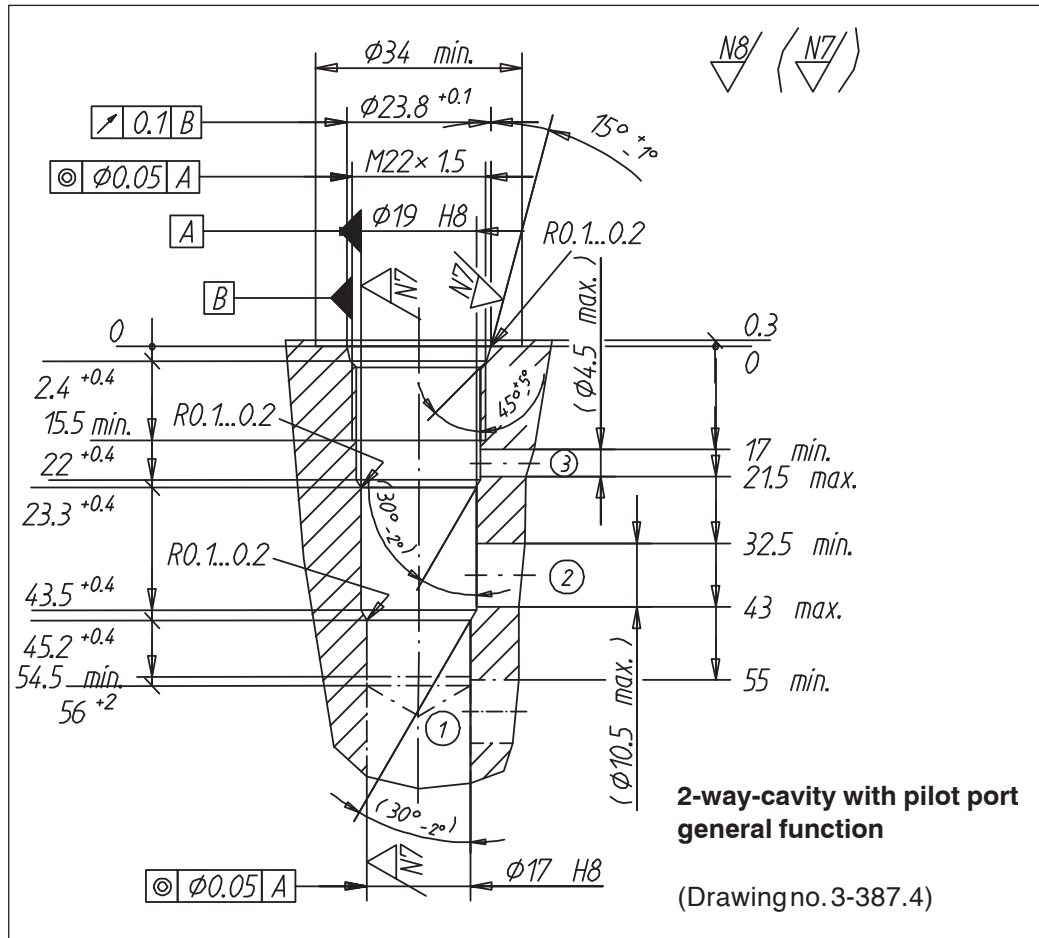


**Cartridge cavity ISO 7789-22-06-0-98**



**Cavity tools**

**Denomination:**

Form drill  
Form reamer  
Tap

**Article number:**

983.0101  
983.0201  
983.0601

**Form tool set**

consisting of; form drill, form reamer and tap

983.0801

**Application**

**Cartridge type:**

FV.PM22-...  
US.PM22-...  
U.FPM22-...

**Data sheet number:**

2.1-546  
2.1-548  
2.5-630

**Cartridge type:**

**Data sheet number:**