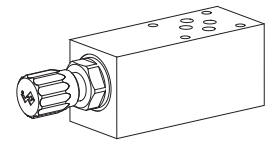


**Pressure sequence valve
 Sandwich construction**

- Pilot operated
- $Q_{\max} = 60 \text{ l/min}$
- $p_{\max} = 400 \text{ bar}$
- $p_{N \max} = 350 \text{ bar}$

NG6
 ISO 4401-03

DESCRIPTION

Pressure sequence valve in sandwich construction. Connection diagram in accordance with ISO 4401-03. The valves are available in three types of adjustment, one of them being lockable, the others being fixed. A cover is also available for key adjustment, see data sheet 2.0-50. Three pressure stages are available as standard. The steel bodies of the sandwich are phosphate coated.

FUNCTION

The pressure sequence valve connects consumers in hydraulic circuits. When the set pressure has been reached, the pilot operation opens to the tank, thereby opening the main spool to the next consumer. The pilot oil flows via an internal drain line to T port.

APPLICATION

For sequence control of operating sequences, whereby a consumer is switched on when a specific pressure is reached. Sandwich vertical stacking valves are suitable for machine tools, also for mobile equipment of all kinds.

TYPE CODE

		F	V	<input type="checkbox"/>	S	A06	<input type="checkbox"/>	-	<input type="checkbox"/>	#	<input type="checkbox"/>
Pressure sequence valve											
Pilot operated											
Type of adjustment	Key	<input type="checkbox"/>									
	Control knob	<input type="checkbox"/>									
	Cover	<input type="checkbox"/>									
Sandwich construction											
International standard interface ISO, NG6											
Type list / function	in P	<input type="checkbox"/>									
Nominal pressure, p_N	63 bar	<input type="checkbox"/>									
	160 bar	<input type="checkbox"/>									
	350 bar	<input type="checkbox"/>									
Design-Index (Subject to change)											

GENERAL SPECIFICATIONS

Normal Size	NG6 according to ISO 4401-03
Designation	Pressure sequence valve pilot operated
Construction	Sandwich construction
Type of fixture	4 mounting holes for M5 socket head screws or M5 locking screws.
Tightening torques	$M_D = 5,5 \text{ Nm}$ (qual. 8.8) for fixing screws $M_D = 60 \text{ Nm}$ for screw cartridges
Type of connections	Thread-connection plates Rows of flange plates and horizontal stacking system.
Installation position	any
Ambient temperature	$-20 \dots +50 \text{ }^\circ\text{C}$
Weight	$m = 1,4 \text{ kg}$

HYDRAULIC SPECIFICATIONS

Hydraulic fluid	Mineral oils, other media on request
Max. permissible contamination level	ISO 4406:1999, class 18/16/13 (Recommended filter gauge $\beta_{6 \dots 10} \geq 75$) see data sheet 1.0-50/2
Viscosity range	$12 \text{ mm}^2/\text{s} \dots 320 \text{ mm}^2/\text{s}$
Hydraulic fluid temp.	$-20 \dots +70 \text{ }^\circ\text{C}$
Peak pressure	$p_{\max} = 400 \text{ bar}$
Rated pressure ranges	$p_N = 63 \text{ bar}, 160 \text{ bar}, 350 \text{ bar}$
Minimum pressure	see curve
Opening pressure over non-return valve	$p_o = 2,0 \text{ bar}$
Maximum volume flow	$Q_{\max} = 60 \text{ l/min}$

Other hydraulic characteristics can be obtained from the data sheets 2.1-546 for cartridge M22x1,5.


REMARK!

Detailed performance data and additional hydraulic specifications may be drawn from the data sheets of the corresponding installed pressure relief cartridge.

SCREW-IN CARTRIDGES INSTALLED

The following screw-in cartridges are used in the sandwich body:

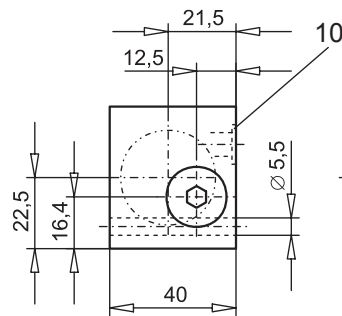
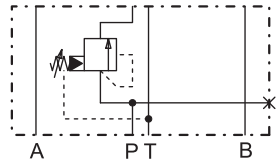
Type	Designation	Data sheet no.
FV.PM22	Pressure sequence valve • pilot operated	2.1-546

CAUTION!

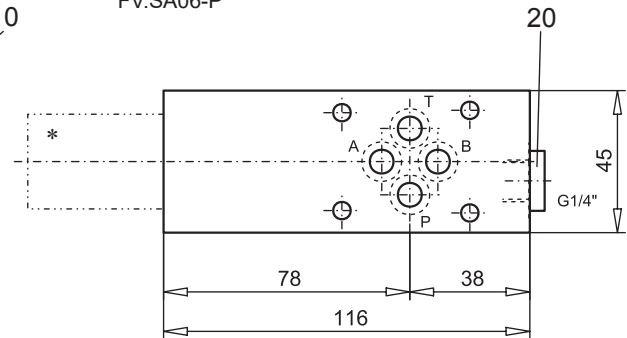

The performance data especially the „**pressure-flow-characteristic**„ on the data sheets of the screw-in cartridges refer to the screw-in cartridges only. The additional pressure drop of the flange body respectively sandwich body must be taken into consideration.

TYPE LIST / DIMENSIONS

FV.SA06-P



FV.SA06-P


PARTS LIST

Position	Article	Description
10	160.2093	O-ring ID 9,25x1,78
20	238.2406	Plug VSTI G1/4"-ED

* The exterior dimensions of the cartridges can be obtained from the data sheet 2.1-546.

Technical explanation see data sheet 1.0-100