

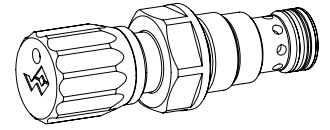
## Pressure relief cartridge

- ◆ pilot operated
- ◆  $p_{max} = 400$  bar
- ◆  $p_{Nmax} = 350$  bar
- ◆  $Q_{max} = 100$  l/min

## DESCRIPTION

Pilot operated pressure relief valve in screw-in cartridge construction for cavity according to ISO 7789. High flow capacity, very sensitively adjustable. If the pressure in P (1) exceeds the adjusted value of the valve, the excessive pressure is drained to T (2). Rapid switching with low hysteresis and excellent stability over the whole flow range. The small clearance of the hardened spool ensures a low leakage volume flow.

**M22 x 1,5**  
**ISO 7789**



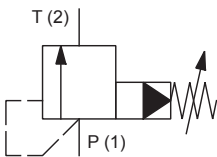
## APPLICATION

These valves are used for limiting the operating pressure in the hydraulic system or for protection against pressure peaks. Can be used in double pressure relief switches. The screw-in cartridge is perfectly suitable for installation in control blocks and is installed in sandwich- (vertical stacked systems) and in flange plates (corresponding data sheets in this register). For machining the cartridge cavity in steel and aluminum blocks, cavity tools are available (hire or purchase). Please refer to the data sheets in register 2.13.

**Attention!** As of design index #2, applications with periodically changing flow direction are admitted.



## SYMBOL



## ACTUATION

Actuation	Adjustment spindle M8 x 1
Execution	S = blockable key adjustment D = blockable knob adjustment Optionally: K = lockable adjustment G = star handle adjustment → see Data sheet 2.0-50
Actuation angle	$\alpha_b = 1800^\circ$ (5 rotations)
Actuation stroke	$S_b = 5$ mm

## TYPE CODE

Pressure relief valve			B V	<input type="checkbox"/>	PM22	-	<input type="checkbox"/>	-	<input type="checkbox"/>	# 2
Pilot operated										
Type of adjustment	Key	<input type="checkbox"/>	S							
	Control knob	<input type="checkbox"/>	D							
	Cover	<input type="checkbox"/>	A							
Screw-in cartridge M22 x 1,5										
Nominal pressure range $p_N$	63 bar	<input type="checkbox"/>	63							
	160 bar	<input type="checkbox"/>	160							
	350 bar	<input type="checkbox"/>	350							
Sealing material	NBR	<input type="checkbox"/>								
	FKM (Viton)	<input type="checkbox"/>	D1							
	NBR 872	<input type="checkbox"/>	y-Z604							
Design index (subject to change)										

2.1-530

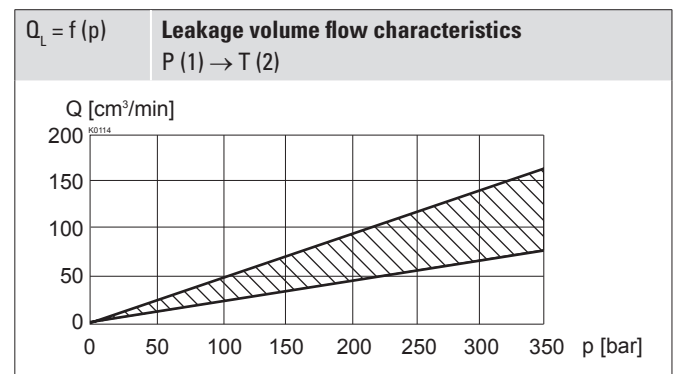
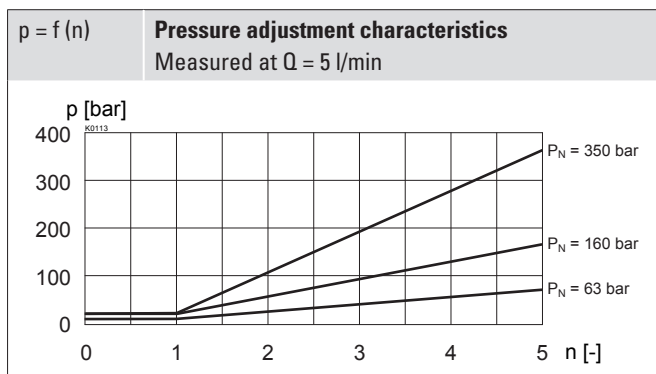
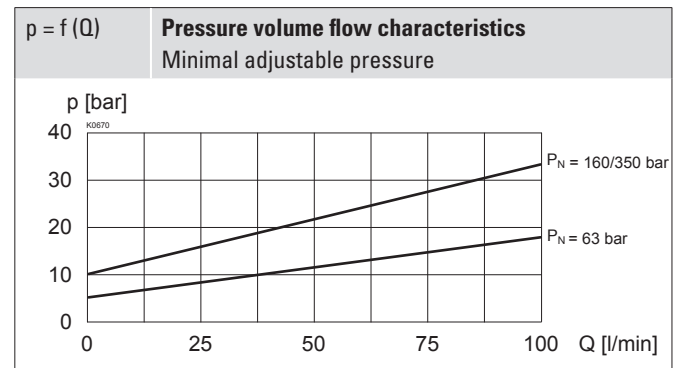
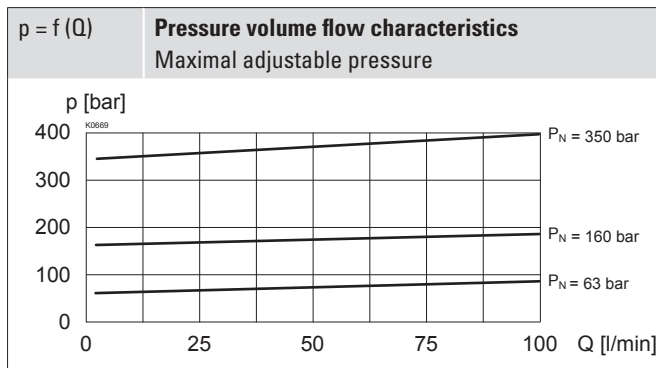
**GENERAL SPECIFICATIONS**

Designation	Pressure relief valve
Construction	Pilot operated
Mounting	Screw-in cartridge construction
Nominal size	M22 x 1,5 according to ISO 7789
Actuation	Manually
Ambient temperature	-25...+90 °C
Weight	0,15 kg key adjustment 0,16 kg control knob adjustment 0,21 kg cover
MTTFd	150 years

**HYDRAULIC SPECIFICATIONS**

Working pressure	$p_{max} = 400$ bar
Tank pressure	$p_{Tmax} = 350$ bar
Nominal pressure range	$p_N = 63; 160; 350$ bar
Minimum pressure	See characteristics
Volume flow range	$Q = 0,2...100$ l/min
Leakage oil	See characteristics
Fluid	Mineral oil, other fluid on request
Viscosity range	$12\text{ mm}^2/\text{s}...320\text{ mm}^2/\text{s}$
Temperature range fluid	-25...+90 °C (NBR) -20...+90 °C (FKM)
Contamination efficiency	Class 18 / 16 / 13
Filtration	Required filtration grade $\beta_{6...10} \geq 75$ , see data sheet 1.0-50

**PERFORMANCE SPECIFICATIONS**

 Oil viscosity  $\nu = 30\text{ mm}^2/\text{s}$ 

**SEALING MATERIAL**

NBR or FKM (Viton) as standard, choice in the type code

**SURFACE TREATMENT**

- ◆ The cartridge body is zinc-nickel coated
- ◆ The control knob is made of plastic

**STANDARDS**

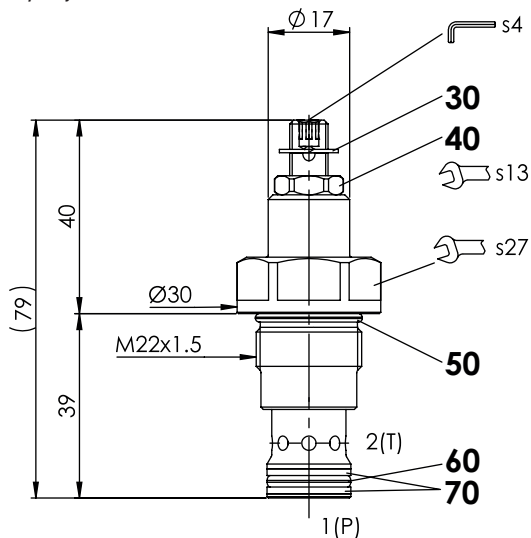
Cartridge cavity	ISO 7789
Contamination efficiency	ISO 4406

**INSTALLATION NOTES**

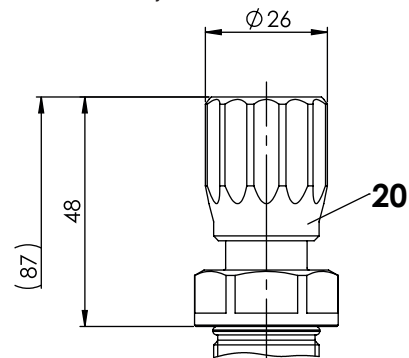
Mounting type	Screw-in cartridge M22 x 1,5
Mounting position	Any, preferably horizontal
Tightening torque	$M_D = 80\text{ Nm}$ screw-in cartridge

**DIMENSIONS**

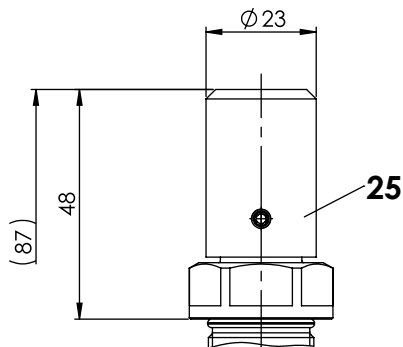
Key adjustment «S»



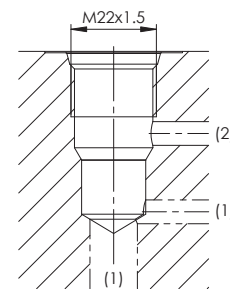
Control knob adjustment «D»



Cover «A»


**HYDRAULIC CONNECTION**

Cavity drawing according to ISO 7789-22-02-0-98


**Note!**


For detailed cavity drawing and cavity tools see data sheet 2.13-1003

**ACCESSORIES**
**Pressure relief valve**

Flange body / sandwich plate NG4-Mini Data sheet 2.1-620

Flange body / sandwich plate NG6 Data sheet 2.1-640

Flange body / sandwich plate NG10 Data sheet 2.1-660

**Back pressure valve**

Sandwich plate NG4-Mini Data sheet 2.1-720

Sandwich plate NG6 Data sheet 2.1-740

Sandwich plate NG10 Data sheet 2.1-760

Types of adjustment for screw-in cartridges Data sheet 2.0-50

Threaded body Data sheet 2.9-200

Technical explanations Data sheet 1.0-100

Filtration Data sheet 1.0-50

**PARTS LIST**

Position	Article	Description
20	114.2224	Control knob
	032.0611	Cover rd 23 / 3 x 35
	193.1061	Retainer rd 6 DIN 6799
	153.1402	Hexagon nut 0,5d M8 x 1
	251.5906	Seal kit BVSPM22
	251.5907	Seal kit BVSPM22-D1
	251.5913	Seal kit BVSPM22-D2
	251.2419	Seal kit BVSPM22 Z604

**Seal kit consisting of:**

50	O-ring	ID 18,77 x 1,78
60	O-ring	ID 14,00 x 1,78
70	Back. ring	PTFE rd 14,6 x 17,5 x 1,4