

Solenoid operated spool valve

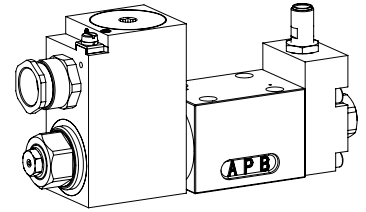
Flange construction

- ◆ 4/2-way impulse execution, detented
- ◆ 4/3-way with spring centered mid position
- ◆ 4/2-way with spring reset
- ◆ $Q_{max} = 80$ l/min
- ◆ $p_{max} = 350$ bar

NG6

ISO 4401-03

- ⊕ II 2 G Ex db IIC
- ⊕ II 2 D Ex tD A21 IP65



DESCRIPTION

Spool valve according to data sheet 1.3-34 with additional inductive switching position monitoring. The contactless sensor transmits the spool position to a step signal.

TYPE CODE

Spool valve, direct operated	WD	Y	F	A06	-	<input type="text"/>	-	Z104	#	<input type="text"/>
Explosion proof execution, Ex d										
Flange construction										
International standard interface ISO NG6										
Other type designation according to type code data sheet 1.3-34										
Namur / Monitoring										
Design index (subject to change)										

1.3-35

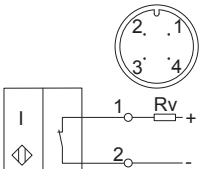
GENERAL SPECIFICATIONS

Designation	4/2-, 4/3-spool valve
Construction	Direct operated
Mounting	Flange construction
Nominal size	NG6 according to ISO 4401-03
Actuation	Switching solenoid
Ambient temperature	L9: -25...+40 °C L15: -25...+70 °C
Weight	3,35 kg single flange 5,55 kg double flange
MTTFd	150 years

Namur-Sensor Specifications:

Nominal voltage	8,2 VDC
Operating voltage	7,7...9 VDC
Current consumption damped max.	1 mA
Current consumption undamped min.	4 mA
Admissible series resistor R_v	550...1100 Ohm
Signal current	max. 200 mA
Switching frequency	2000 Hz
Protection class	IP 68
	According to the connection type, the protection class of the valve can be lower, see data sheet 1.2-59
Dimensions	M12 x 1
Ambient temperature	-25...70 °C
Fastening torque	15 Nm
Peak pressure	500 bar

ELECTRICAL CONNECTION

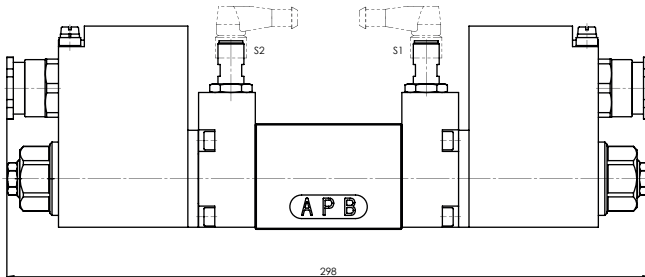
Namur	Article no. 205.5011
Device receptacle	M12, 4 pole male
Mating connector	M12, 4 pole female
	1 = Supply voltage + 2 = Signal
	Attention: Do not apply a voltage >9V
Mating connector not incl. in delivery	

Signal characteristics

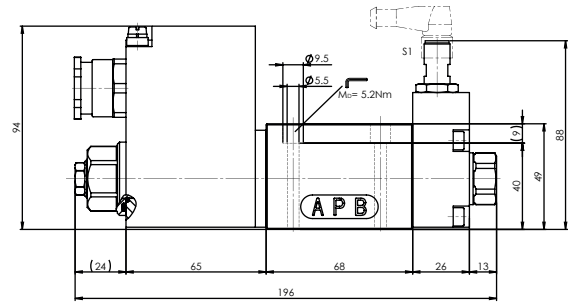
Signal of the actuator	Signal of the sensor
A / B	Namur
0	$\geq 4 \text{ mA}$
1	$\leq 1 \text{ mA}$

DIMENSIONS

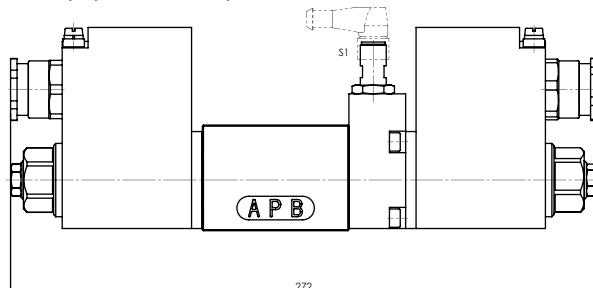
4/3-way spool valve (spring centred)



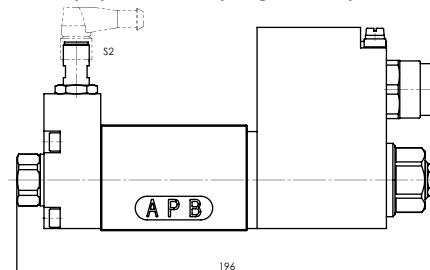
4/2-way spool valve (spring reset) operation A-side



4/2-way spool valve (impulse)



4/2-way spool valve (spring reset) operation B-side



INSTALLATION NOTES

Mounting type	Flange mounting 4 fixing holes for socket head screws M5 x 50
Mounting position	Any, preferably horizontal
Tightening torque	Fixing screws $M_0 = 5,2 \text{ Nm}$ (screw quality 8.8, zinc coated) $M_0 = 5 \text{ Nm}$ knurled nut

Note!



The length of the fixing screw depends on the base material of the connection element.

ACCESSORIES

Mating connector (plug female, confectionable)

straight, screw terminal	Article no. 219.2978
angled, screw terminal	Article no. 219.3003

SURFACE TREATMENT

- ◆ The valve body is painted with a two component paint
- ◆ The screw plug is zinc coated
- ◆ All the other parts are zinc-nickel coated

Wandfluh AG Postfach CH-3714 Frutigen
 Tel. +41 33 672 72 72 Fax +41 33 672 72 12 sales@wandfluh.com