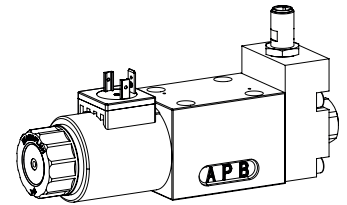


Solenoid operated spool valve with inductive switching position monitoring

NG6
ISO 4401-03

Flange construction

- ◆ 4/2-way impulse execution, detented
- ◆ 4/3-way with spring centered mid position
- ◆ 4/2-way with spring reset
- ◆ $Q_{max} = 80$ l/min
- ◆ $p_{max} = 350$ bar



DESCRIPTION

Spool valve according to data sheet 1.2-59 with additional inductive switching position monitoring. The contactless sensor transmits the spool position to a step signal.

TYPE CODE

	WD	M	F	A06	-			#	
Spool valve, direct operated									
Slip-on coil Medium									
Flange construction									
International standard interface ISO NG6									
Other type designation according to type code data sheet 1.2-59									
Polarity /Signal output /Monitoring									
PNP / NO / Single									
PNP / NC / Single									
NPN / NO / Single									
PNP / NO / Double*									
PNP / NC / Double*									
NPN / NO / Double*									
*not in combination with 4/3-way (spring centred)									
Design index (subject to change)									

1.2-62

GENERAL SPECIFICATIONS

Weight	0,5 kg single flange
	1,0 kg double flange

Sensor Specifications:

Nominal voltage	24 VDC
Operating voltage	10...30 VDC
Signal current	max. 200 mA
Switching frequency	2000 Hz
Protection class	IP 68
	According to the connection type, the protection class of the valve can be lower, see data sheet 1.2-59
Dimensions	M12 x 1
Ambient temperature	-25...50 °C
Fastening torque	15 Nm
Peak pressure	500 bar

Note! Other specifications see data sheet 1.2-59



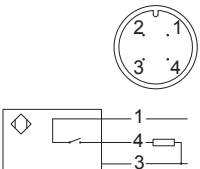
ACCESSORIES

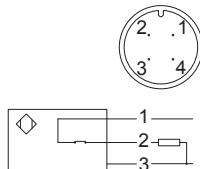
Mating connector (plug female)	
straight, screw terminal	Article no. 219.2978
90°, screw terminal	Article no. 219.3003

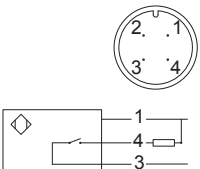
SURFACE TREATMENT

- ◆ The valve body is painted with a two component paint
- ◆ All the other parts are zinc-nickel coated

ELECTRICAL CONNECTION

Type:	PNP, NO (Normally open)
Designation:	Z603
Article no.:	205.5024
Device receptacle	M12, 4 pole male
Mating connector	M12, 4 pole female
	1 = Supply voltage + 2 = Reserved for extensions 3 = Supply voltage 0 VDC 4 = Signal Plus switched
	
Mating connector not included in delivery	

Type:	PNP, NC (Normally closed)
Designation:	Z482
Article no.:	205.5023
Device receptacle	M12, 4 pole male
Mating connector	M12, 4 pole female
	1 = Supply voltage + 2 = Signal 3 = Supply voltage 0 VDC 4 = Reserved for extensions Plus switched
	
Mating connector not included in delivery	

Type:	NPN, NO (Normally open)
Designation:	Z680
Article no.:	205.5026
Device receptacle	M12, 4 pole male
Mating connector	M12, 4 pole female
	1 = Supply voltage + 2 = Reserved for extensions 3 = Supply voltage 0 VDC 4 = Signal Minus switched
	
Mating connector not included in delivery	

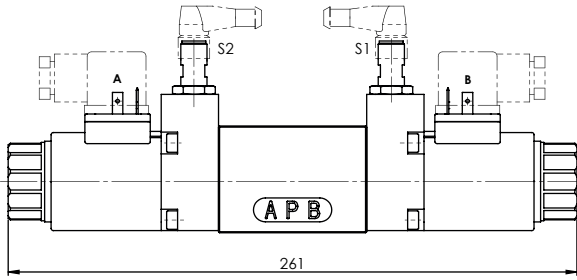
Signal characteristics

Signal of the actuator		Signal of the sensor			
		NO Normally open		NC Normally closed	
A	B	S1	S2	S1	S2
0*	0*	0*	0*	1*	1*
0	1	0	1	1	0
1	0	1	0	0	1

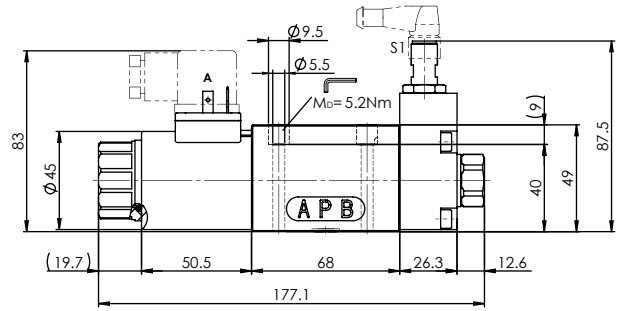
*does not apply for 4/2 spool valve (impulse)

DIMENSIONS / SINGLE MONITORING

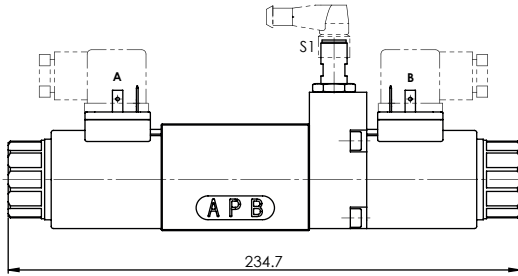
4/3-way spool valve (spring centred)



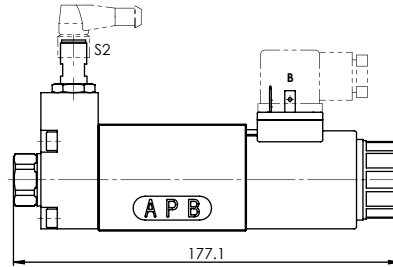
4/2-way spool valve (spring reset) operation A-side



4/2-way spool valve (impulse)

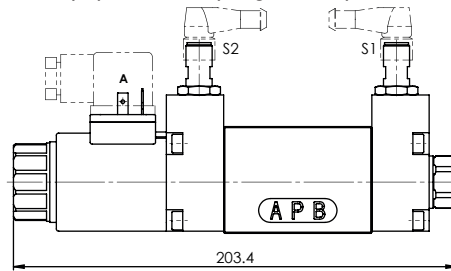


4/2-way spool valve (spring reset) operation B-side

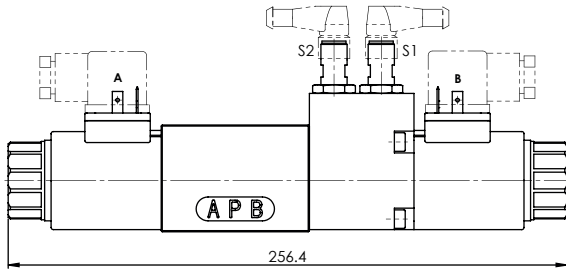


DIMENSIONS / DOUBLE MONITORING

4/2-way spool valve (spring reset) operation A-side



4/2-way spool valve (impulse)



4/2-way spool valve (spring reset) operation B-side

