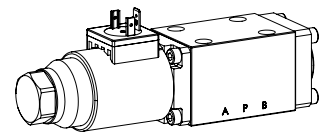


Stainless steel solenoid operated spool valve

Flange construction

- ◆ 4/2-way impulse execution, detented
- ◆ 4/3-way with spring centred mid position
- ◆ 4/2-way with spring reset
- ◆ $Q_{max} = 50 \text{ l/min}$
- ◆ $p_{max} = 350 \text{ bar}$

NG6
ISO 4401-03



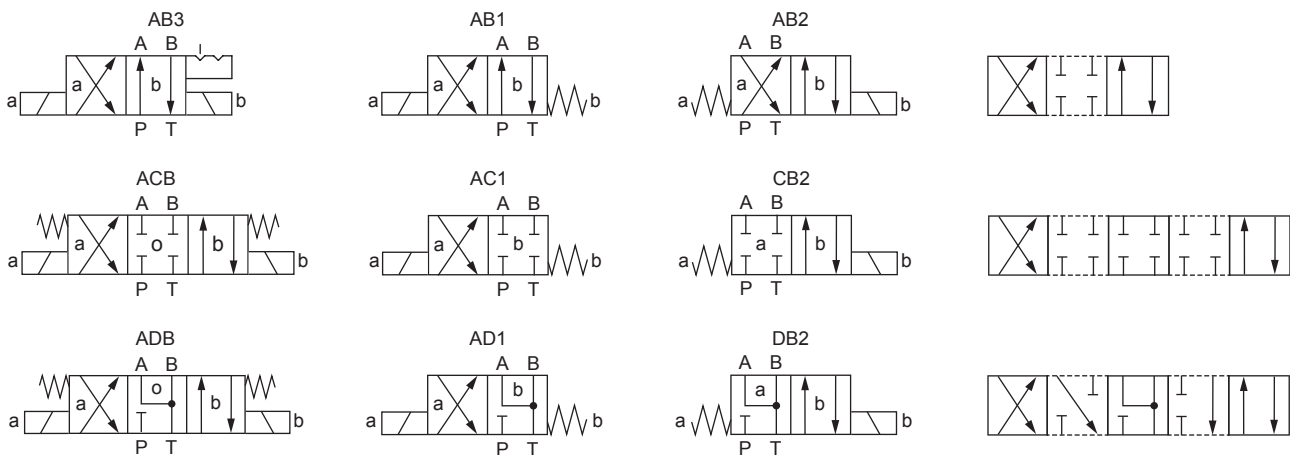
DESCRIPTION

Direct operated solenoid spool valve with 4 connections in 5 chamber design. With the solenoids deenergised, the spool is held in the center position by the spring (4/3), or switched back to the offset position (4/2). With the impulse spool (4/2), the spool is held in the switching position by the detent.

APPLICATION

Spool valves are mainly used for controlling direction of movement and stopping of hydraulic cylinders and motors. The direction of movement is determined by the position of the spool and its symbol. The stainless execution is especially suitable for the use in wet and salty environment.

SYMBOL



GENERAL SPECIFICATIONS

Designation	4/2-, 4/3-spool valve
Construction	Direct operated
Mounting	Flange construction
Nominal size	NG6 according to ISO 4401-03
Actuation	Switching solenoid
Ambient temperature	-25...+70 °C if > +50 °C, then no undervoltage is admissible
Weight	1,53 kg (1 solenoid Economy) 2,07 kg (2 solenoids Economy)
MTTFd	150 years

ACTUATION

Actuation	Switching solenoid, wet pin push type, pressure tight
Execution	W.E45 / 23 x 50 (Data sheet 1.1-182) M.S45 / 23 x 50 (Data sheet 1.1-181)
Connection	Connector socket EN 175301 – 803 Connector socket AMP Junior-Timer Connector Deutsch DT04 – 2P

TYPE CODE

		WD M F A06 - <input type="text"/> - <input type="text"/> / <input type="text"/> <input type="text"/> - <input type="text"/> K9 # <input type="text"/>	
Spool valve, direct operated			
Slip-on coil, Medium			
Flange construction			
International standard interface ISO, NG6			
Designation of symbols acc. to table			
Nominal voltage U_N	12 VDC <input type="text" value="G12"/> 24 VDC <input type="text" value="G24"/> without coil <input type="text" value="X5"/>	115 VAC <input type="text" value="R115"/> 230 VAC <input type="text" value="R230"/>	
Slip-on coil	Metal housing, round <input type="text" value="W"/> Metal housing, square <input type="text" value="M"/>		
Connection execution	Connector socket EN 175301-803 / ISO 4400 <input type="text" value="D"/> Connector socket AMP Junior-Timer <input type="text" value="J"/> (only for $U_N \leq 75$ VDC) Connector Deutsch DT04 - 2P <input type="text" value="G"/> (only for $U_N \leq 75$ VDC)		
Sealing material	NBR <input type="text"/> FKM (Viton) <input type="text" value="D1"/> NBR 872 <input type="text" value="y-Z604"/>		
Stainless			
Design index (subject to change)			

1.2-59S

ELECTRICAL SPECIFICATIONS

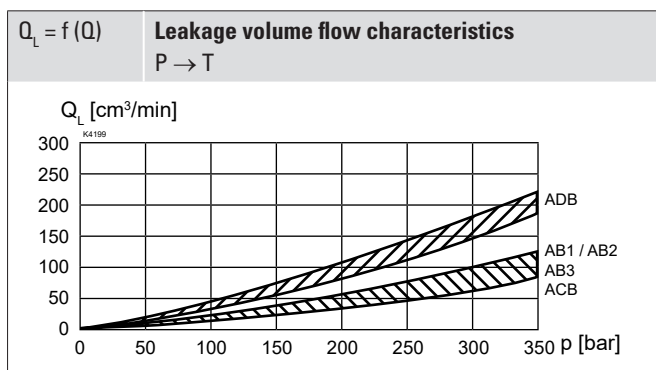
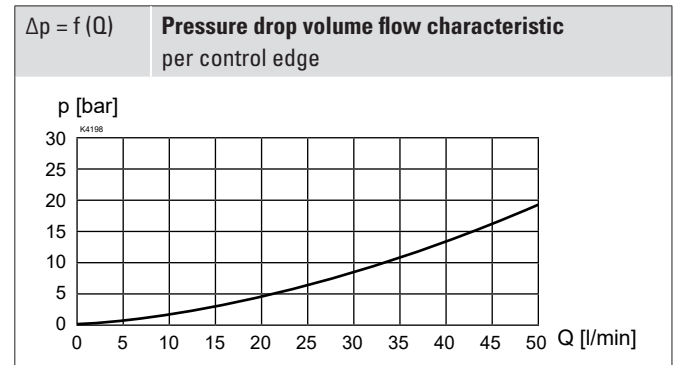
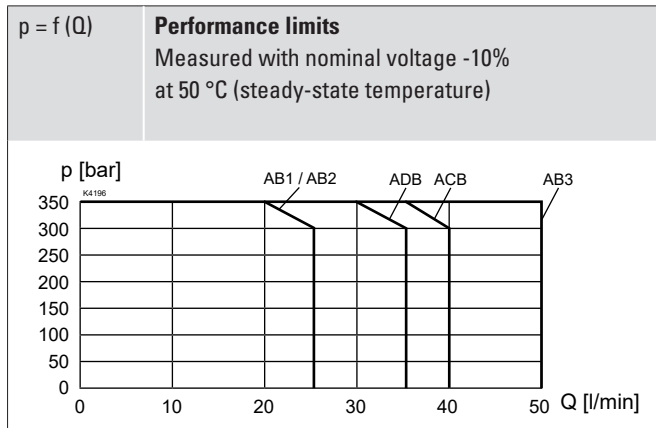
Protection class	Connection execution D: IP65 Connection execution J: IP66 Connection execution G: IP67 and IP69K
Relative duty factor	100 % DF
Switching frequency	15'000 / h
Service life time	10^7 (number of switching cycles, theoretically)
Voltage tolerance	± 10 % with regard to nominal voltage
Standard nominal voltage	12 VDC, 24VDC, 115 VAC, 230 VAC AC = 50 to 60 Hz, rectifier integrated in the connector socket

Note! Other electrical specifications see data sheet 1.1-182 (slip-on coil W) and 1.1-181 (slip-on coil M)


HYDRAULIC SPECIFICATIONS

Working pressure	$p_{max} = 350$ bar
Tank pressure	$p_{Tmax} = 200$ bar
Maximum volume flow	$Q_{max} = 50$ l/min, see characteristics
Leakage oil	See characteristics
Fluid	Mineral oil, other fluid on request
Viscosity range	12 mm ² /s...320 mm ² /s
Temperature range fluid	-25...+70 °C (NBR) -20...+70 °C (FKM)
Contamination efficiency	Class 20 / 18 / 14
Filtration	Required filtration grade $\beta_{10...16} \geq 75$, see data sheet 1.0-50

PERFORMANCE SPECIFICATIONS

 Oil viscosity $\nu = 30 \text{ mm}^2/\text{s}$


Attention! For valves for the temperature ranges „-40 °C to...” (Z604) the leakage volume flow can be up to eight times higher.



ACCESSORIES

Mating connector grey (A)	Article no. 219.2001
Mating connector black (B)	Article no. 219.2002
Mounting screws	Data sheet 1.0-60
Threaded subplates	Data sheet 2.9-30
Multi-station subplates	Data sheet 2.9-60
Horizontal mounting blocks	Data sheet 2.9-100
Technical explanations	Data sheet 1.0-100
Hydraulic fluids	Data sheet 1.0-50
Filtration	Data sheet 1.0-50
Relative duty factor	Data sheet 1.1-430

INSTALLATION NOTES

Mounting type	Flange mounting 4 fixing holes for socket head screws M5 x 45
Mounting position	Any, preferably horizontal
Tightening torque	Fixing screws $M_0 = 5,2 \text{ Nm}$ (screw quality 8.8, zinc coated)

Note!



The length of the fixing screw depends on the base material of the connection element.

STANDARDS

Mounting interface	ISO 4401-03
Solenoids	DIN VDE 0580
Connection execution D	EN 175301 – 803
Protection class	EN 60 529
Contamination efficiency	ISO 4406

SEALING MATERIAL

NBR or FKM (Viton) as standard, choice in the type code

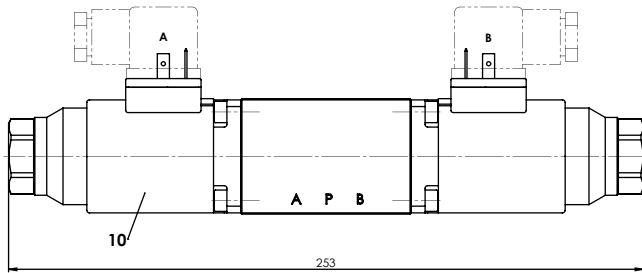
SURFACE TREATMENT

- ◆ The valve body, the cover and the socket head screws are made of stainless steel
- ◆ The slip-on coil and the armature tube are zinc nickel coated

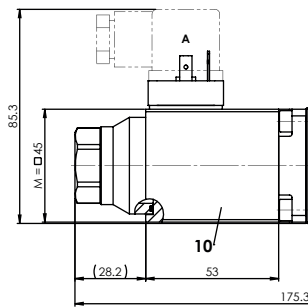
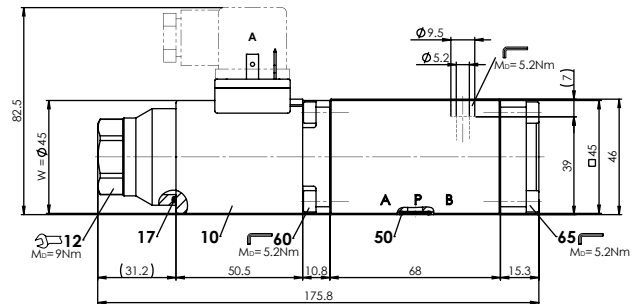
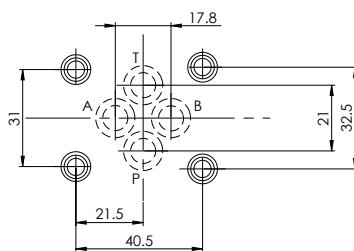
DIMENSIONS

4/3-way valve (spring centred)

4/2-way valve (impulse)



4/2-way valve (spring reset)


HYDRAULIC CONNECTION

PARTS LIST

Position	Article	Description
10	206.1... 206.7...	W.E45 / 23 x 50 M.S45 / 23 x 50
12	154.2605	Knurled nut M23 x 1,5 x 31,2
17	160.2330	O-ring ID 33,05 x 1,78 (NBR)
50	160.2093 160.6092	O-ring ID 9,25 x 1,78 (NBR) O-ring ID 9,25 x 1,78 (FKM)
60	246.2512	Socket head screw M5 x 12 A4 DIN 912
65	246.2516	Socket head screw M5 x 16 A4 DIN 912