

**Joysticks**

- for setting reference values
- uniaxial or biaxial control
- with or without push button/safety contact

**DESCRIPTION**

The joystick is a passive electronic component. Sizes and installation dimensions can be obtained from the drawing on page 2.

**FUNCTION**

The movement at the joystick is transferred to one or several potentiometers. The adjustment of the potentiometer mechanically changes the internal resistance thereby adjusting the reference input voltage on the amplifier card, depending on the electrical circuit. The joysticks are kept in the neutral position.

**APPLICATION**

The joystick is used primarily in mobile applications and acts as a simple reference value adjuster for one or two independent movements. Attention should be paid to the maximum load on the potentiometer and the voltage source!

**CONTENT**

TYPE CODE .....	1
CHARACTERISTICS .....	1
DIMENSIONS .....	2
ADDITIONAL INFORMATION .....	2

**TYPECODE**

	Z	03	-	□	-	□	-	□	-	□	#	□
Accessory												
Joystick												
Joystick-type												
Type A						A						
Type B						B						
Uniaxial control										1		
Biaxial control										2		
with ball handle											1	
with ball handle and safety button											2	
Resistance in kOhm												
2x5 kΩ											005	
2x10 kΩ											010	

Design-Index (Subject to change)

Other values on request

**CHARACTERISTICS**

Standard  
 Resistant to  
 Mechanical durability  
 Ambient temperature  
 Insulation group  
 Type or protection, front side  
 Safety button

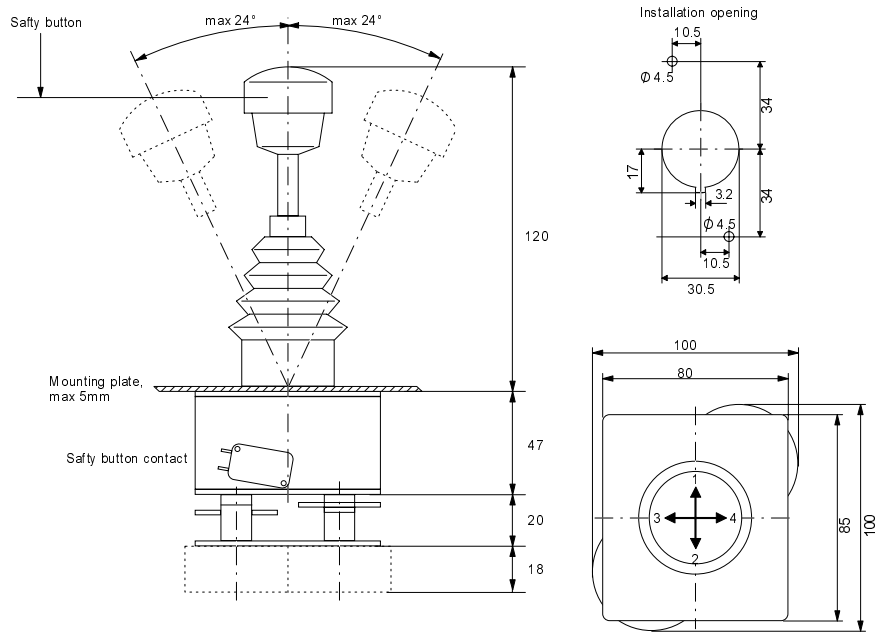
**TYPE A**

VDE 0660 Part 200, IEC 337  
 Oil, marine environment, ozone and UV radiation  
 6 million switching cycles  
 Operation -40°C ... +60°C  
 Storage -50°C ... +80°C  
 C in accordance with VDE 01106  
 IP 54 in accordance with DIN 40050 Part 1  
 When the ball handle is pressed downwards, the safety button locks. There is no mechanical interlock.

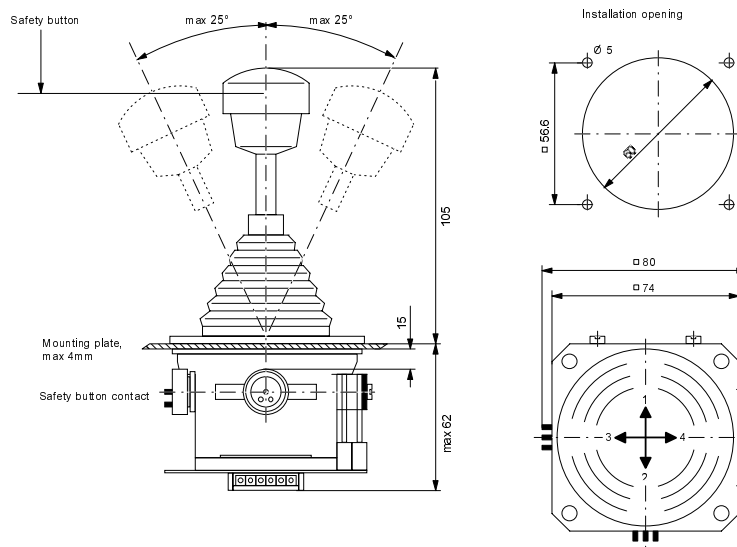
**TYPE B**

VDE 0660 Teil 200, IEC 337  
 Oil, marine environment, ozone and UV radiation  
 6 million switching cycles  
 Operation -40°C ... +60°C  
 Storage -50°C ... +80°C  
 C in accordance with VDE 01106  
 IP 54 in accordance with DIN 40050 Part 1  
 When the ball handle is pressed downwards, the safety button locks. There is no mechanical interlock.

**TYPE A JOYSTICK DIMENSIONS**



**TYPE B JOYSTICK DIMENSIONS**



**ADDITIONAL INFORMATION**

Wandfluh Electronics, general

1.13