

Potentiometer

- for reference valve setting
- single or multi-way

DESCRIPTION

The potentiometer is a passive electronic component. Sizes and installation dimensions can be obtained from the drawing on page 2. Suitable control knobs are described in data sheet 1.13-540

FUNCTION

Adjusting the potentiometer mechanically (angle or rotation) changes the internal resistance. Depending on the electrical circuit, this adjusts the reference input voltage on the amplifier card.

APPLICATION

The potentiometer enable simple manual adjustment of the reference value setting. It is used everywhere where simple reference value adjustments are made infrequently. Attention should be paid to the maximum load on the potentiometer and the voltage source!

CONTENT

TYPE CODE	1
CHARACTERISTICS	1
DIMENSIONS	2
ADDITIONAL INFORMATION	2

TYPE CODE

	Z	01	-	<input type="text"/>	-	<input type="text"/>	-	<input type="text"/>	#	<input type="text"/>
Accessory										
Potentiometer										
Potentiometer type										
Type A				<input type="text" value="A"/>						
Type B				<input type="text" value="B"/>						
Type C				<input type="text" value="C"/>						
Number or revolutions										
1 revolution (Type A+B)						<input type="text" value="01"/>				
3 revolution (Type C)						<input type="text" value="03"/>				
5 revolution (Type C)						<input type="text" value="05"/>				
10 revolution (Type C)						<input type="text" value="10"/>				
Resistance in kOhm										
5 kΩ						<input type="text" value="005"/>				
10 kΩ						<input type="text" value="010"/>				
50 kΩ						<input type="text" value="050"/>				
Design-Index (Subject to change)										

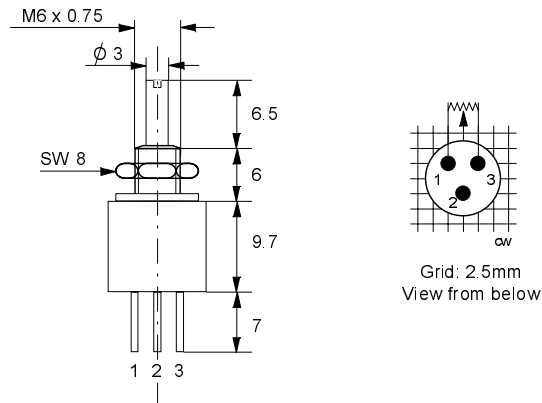
Other designs or special productions are available on request

CHARACTERISTICS

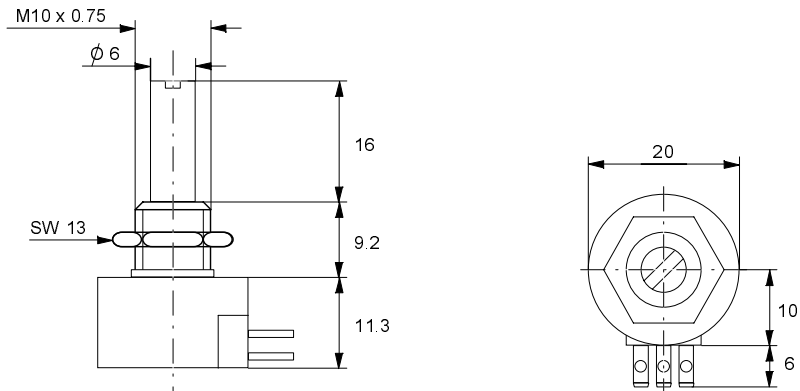
	Type A	Type B	Type C
Diameter	12.7 mm	20 mm	22 mm
Axle length	6.5 mm	16 mm	12.3 mm
Axle diameter	3 mm	6 mm	6 mm
Angle of rotation	318°	320°	1080°/1800°/3600°
Durability	2000 cycles	100000 cycles	1000000 axle revolutions
Resistance tolerance	+/- 10 %	+/- 5 %	+/- 5 %
Linearity	+/- 1 %	+/- 0.4 %	+/- 0.15 %
Max. loop current	100 mA	100 mA	50 mA
Max. supply voltage	250 VAC/DC	250 VAC/DC	250 VAC/DC
Load P	1W/85°C	2W/40°C	2W/70°C
Temperature range	-55° ... +10°	-55° ... +125°	-50° ... +125°
Type of protection	IP67	IP67	IP50

DIMENSIONS

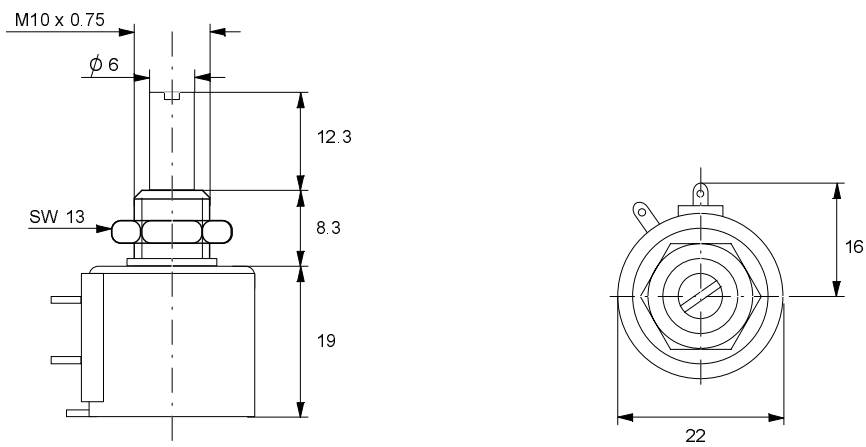
Type A



Type B



Type C



ADDITIONAL INFORMATION

Control knobs 1.13-540
Wandfluh Electronics, general 1.13