

Power supply T04

- Eurocard size
- Spark suppression VDE 0871B
- Built to EN 60950

DESCRIPTION

Switching power supply in Eurocard format.
 Connection with plug DIN 41612-H15.

FUNCTION

The card is designed for 230 VAC or 115 VAC grids. Output voltage: 24 VDC / 4,2 A

APPLICATION

The power supply is for application in the industrial field and fits into 19" rack.

CONTENTS

GENERAL SPECIFICATIONS	1
ELECTRICAL SPECIFICATIONS	1
BLOCK DIAGRAM	1
START-UP	2
ADDITIONAL INFORMATION	2

TYPE CODE

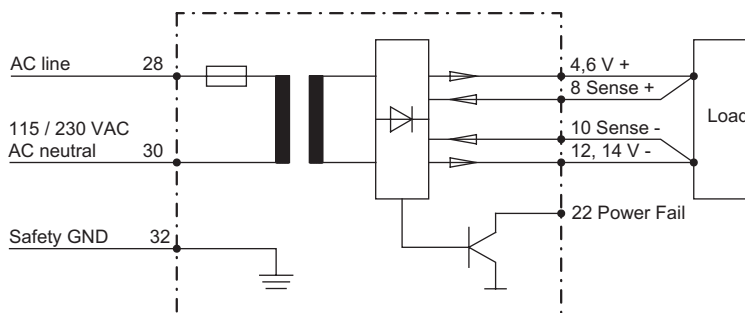
Power supply	T	04		100	#	
Type number						
Supply voltage 230 VAC			A0			
Supply voltage 115 VAC			A1			
Power 100 W						
Design-Index (Subject to change)						

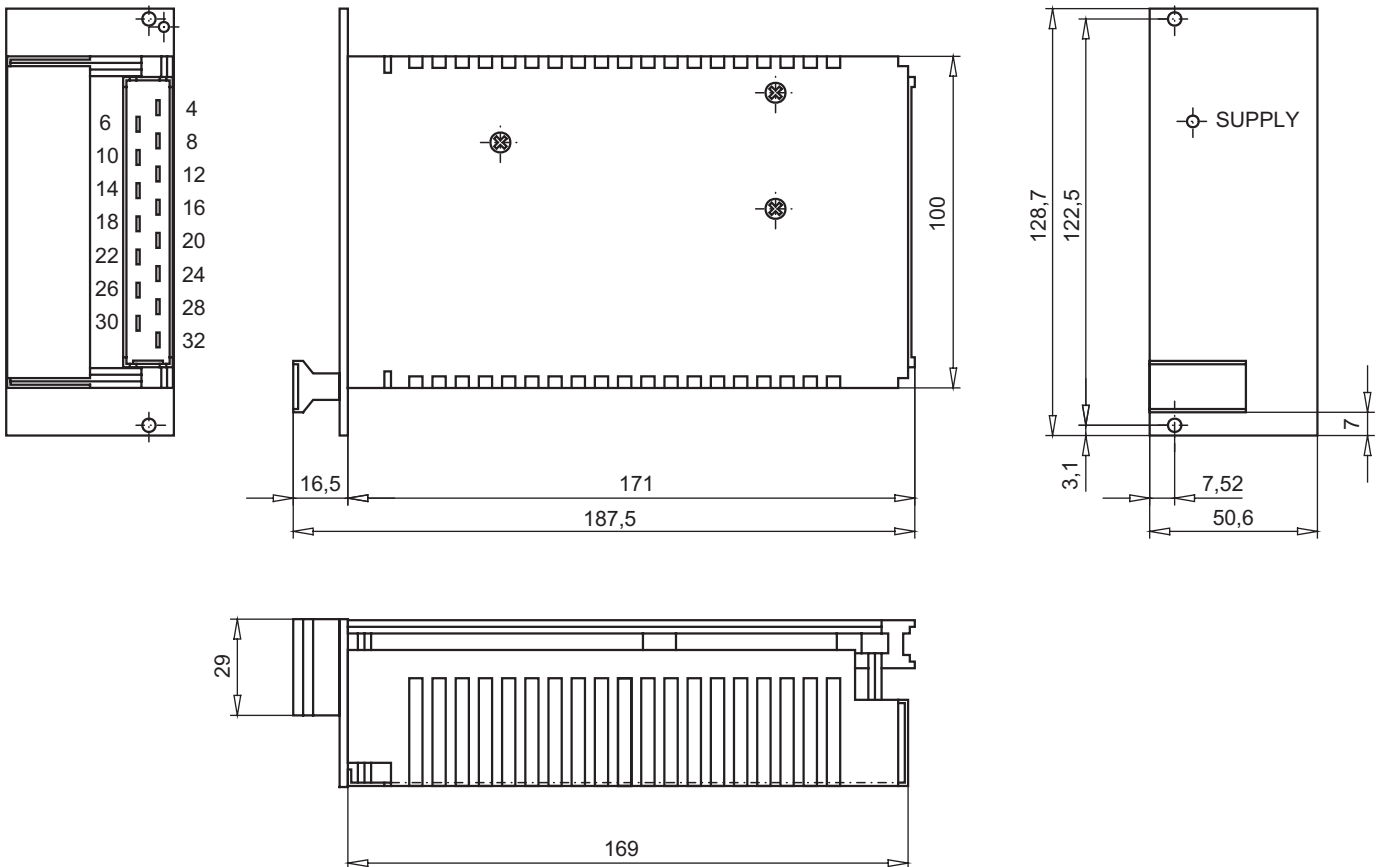
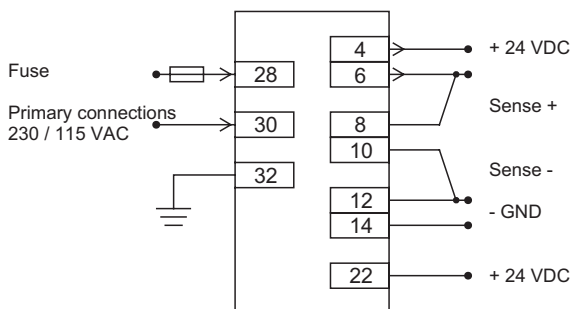
GENERAL SPECIFICATION

Execution	Eurocard
Dimensions	172 x 129 x 50 mm
Weight	640 g
Connections	Plug DIN 41612-H15
Working temperature	0...+50° C with 100 % load +50...+70° C with 50 % load

ELECTRICAL SPECIFICATION

Supply voltage	115 VAC / 230 VAC	47 Hz...440 Hz
Fuse primary side	T 3,15 A	
Output voltage	24 V / 4,2 A	
Fuse secondary side	short circuit proof	
Power fail signal	open collector TTL compatibel	max. 16 mA / 30 V
Power failure		
By-pass time	20 ms with P _{max.} (100 W)	
Input current	25 A cold start peak	
Insulation voltage	primary - secondary	3,75 kVAC
	primary - ground	1,50 kVAC
	secondary - ground	500 VAC

BLOCK DIAGRAM


DIMENSIONS

START-UP OF POWER SUPPLY T04
Example of connection

Instructions for connection
Primary connection

Connect input voltage to terminals 28 and 30. The transformer is designed for either 230 or 115 VAC. Customer must fuse the primary side.

Secondary connection

Two terminals each for plus and minus for 24 VDC output voltage are available. The two feed back connections (Sense + and Sense -) should be wired right to the consumers plus and minus terminal sif possible.

Power Fail

The power failure output signals a supply voltage wich is out of tolerance.

ADDITIONAL INFORMATIONS

	Wandfluh-Dokumentation
Wandfluh-electronics in general	register 1.13
Accessories	register 1.13
Proportional directional control valves	register 1.10
Proportional pressure control valves	register 2.3
Proportional flow control valves	register 2.6