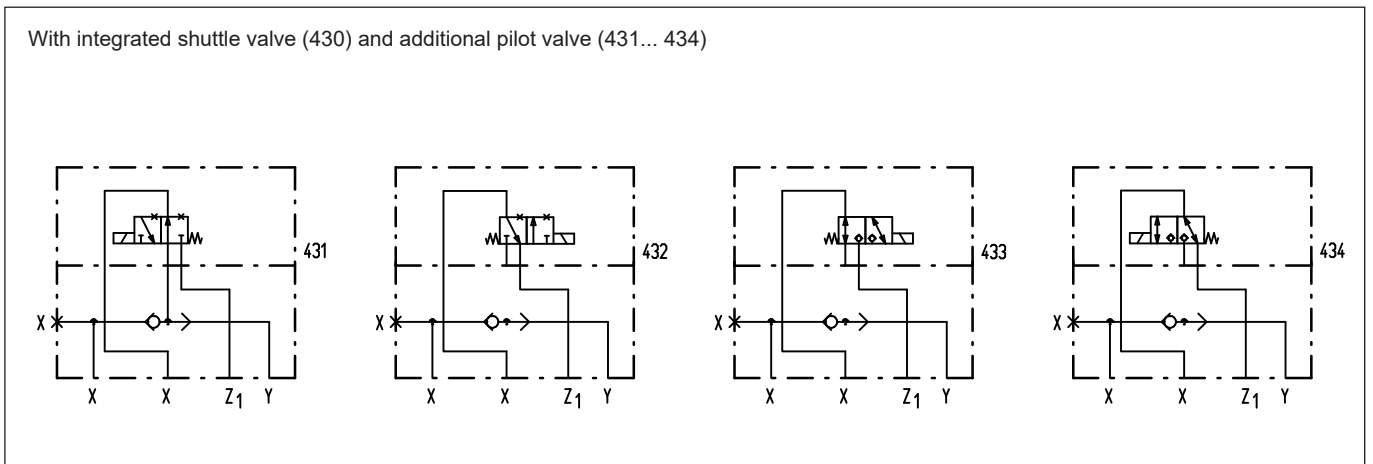
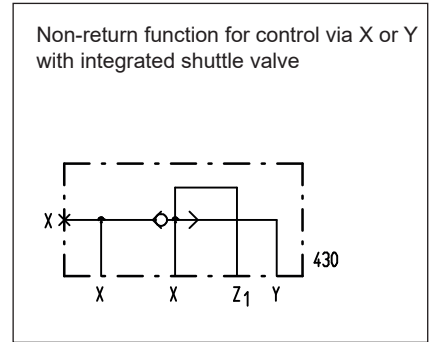
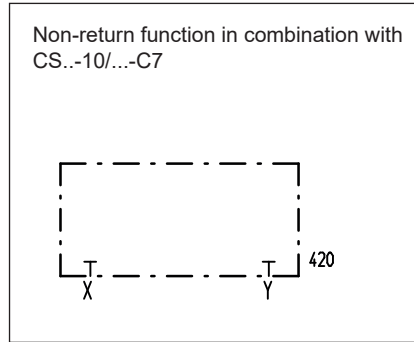
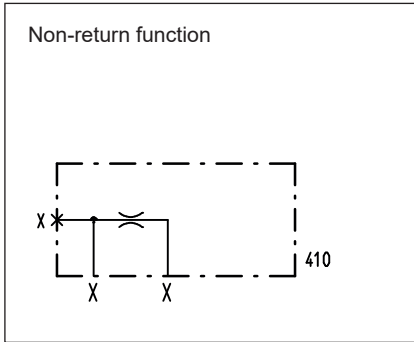


Control cover
 for check function
 • $p_{max} = 350 \text{ bar}$

NG 40
 ISO 7368



TYPE CODE

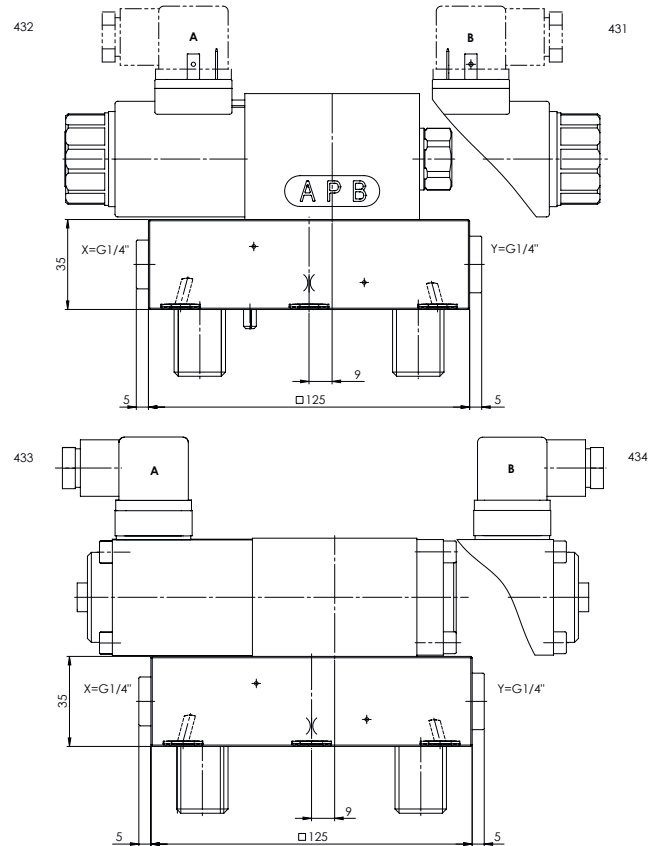
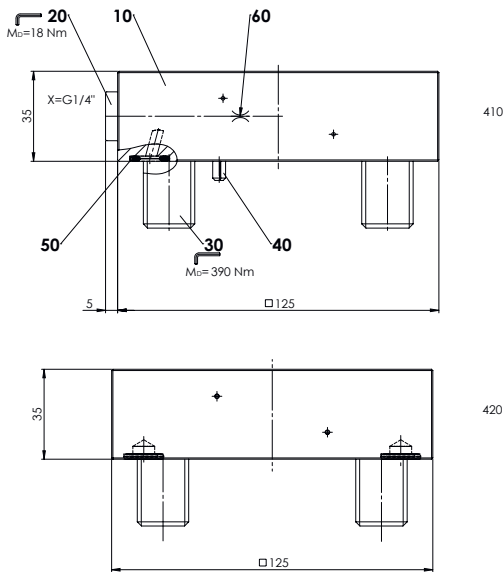
Control cover				D	40		-		/	#	
Nominal size											
Pilot no.	410...434										
Solenoid type for pilot valve											
Standard	431, 432										
	433, 434										
Nominal voltage U_N	12 VDC										
	24 VDC										
Orifice in cover	0.8 mm										
	1.0 mm										
Omit if without orifice											
Design-Index (Subject to change)											

GENERAL SPECIFICATIONS

Construction	Control cover for check function
Mounting position	any
Installation dimension	see dimension to ISO 7368 see data sheet 2.13-1024
Ambient temperature	-25...+70 °C
Fastening torque	M _D = 370 Nm (qual. 8.8) for fixing screws

HYDRAULIC SPECIFICATIONS

Fluid	Mineral oil, other fluid on request
Contamination efficiency	ISO 4406:1999, class 18/16/13 (Required filtration grade β _{6...10} ≥ 75) see data sheet no. 1.0-50/2
Viscosity range	12 mm ² /s to 320 mm ² /s
Fluid temperature	-20...+70 °C
Operation pressure	p _{max} = 350 bar

DIMENSIONS

PARTS LIST

Position	Article	Description
10	063.3001	Plate to 410
	063.3005	Plate to 420
	063.3010	Plate to 430
	063.3017	Plate to 431, 432, 433, 434
20	238.2406	Locking screw VSTI G1/4"
	238.3402	Locking screw VSTI G3/8"
30	246.8140	Cyl. screw M20x40 DIN912
	221.2470	Pin Ø5x16 DIN1481
50	160.2107	O-Ring ID 10,77x2,62
60	118.2032	Orifice M5 / 0,8 x 5
	118.2052	Orifice M5 / 0,9 x 5
	118.2031	Orifice M5 / 1,0 x 5
	118.2058	Orifice M5 / 1,2 x 5
	118.2072	Orifice M5 / 1,5 x 5

PILOT OPERATED VALVES

Pilot operated valves:	431	WDMFA06-AB1	Data sh. 1.2-59
	432	WDMFA06-AB2	Data sh. 1.2-59
	433	AS32060b	Data sh. 1.11-2140
	434	AS32061a	Data sh. 1.11-2140