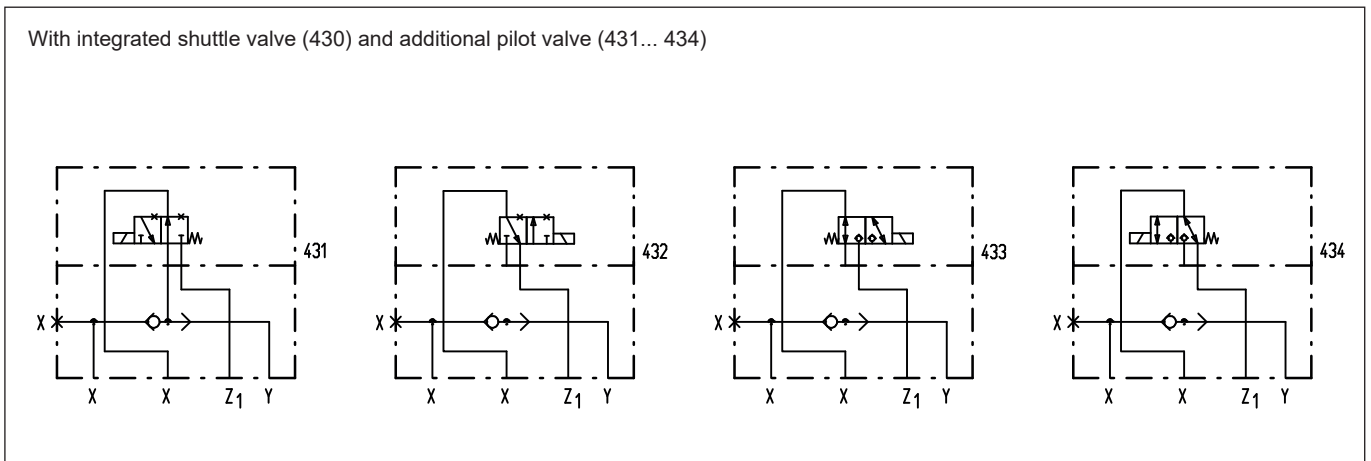
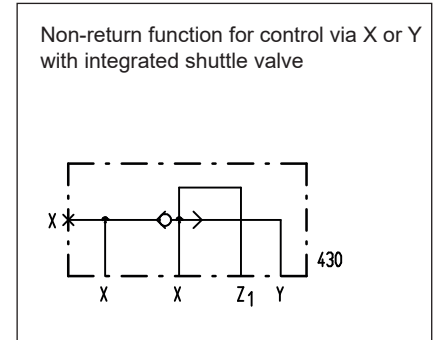
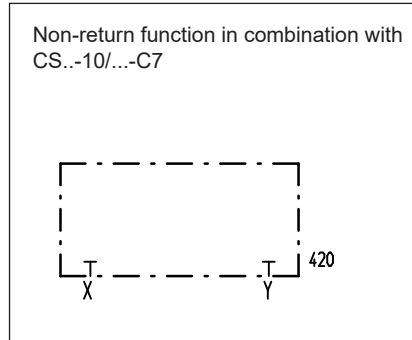
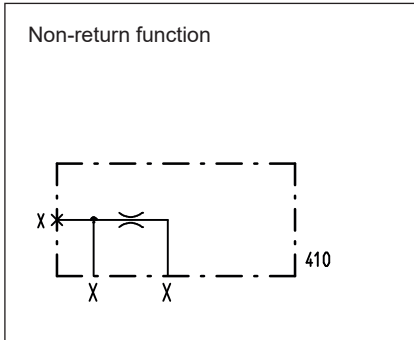


**Control cover  
for check function**

 •  $p_{max} = 350 \text{ bar}$ 
**NG 32**  
 ISO 7368

**TYPE CODE**

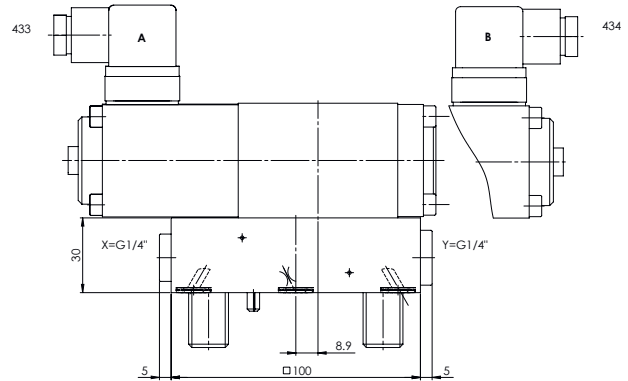
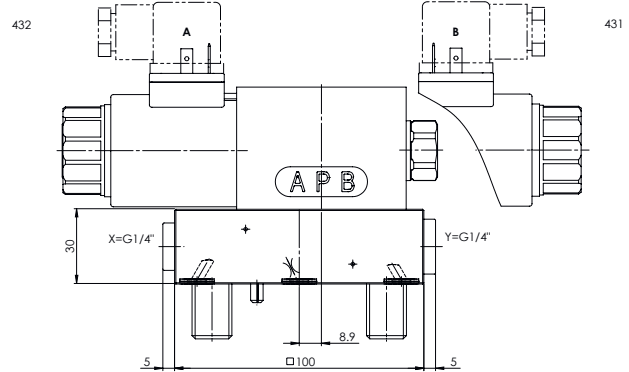
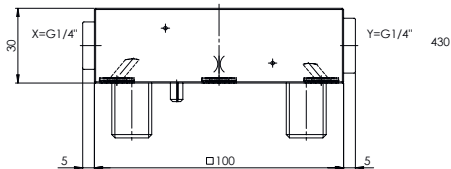
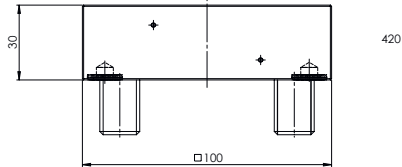
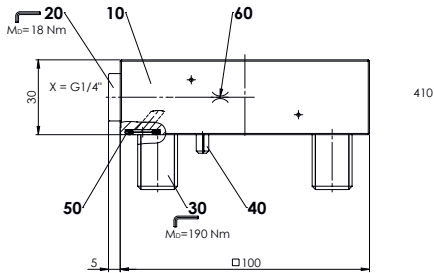
Control cover				D	32		-		/	#	
Nominal size											
Pilot no.											
Solenoid type for pilot valve											
Standard	431, 432										
	433, 434										
Nominal voltage $U_N$	12 VDC										
	24 VDC										
Orifice in cover	0.8 mm										
	1.0 mm										
Omit if without orifice											
Design-Index (Subject to change)											

**GENERAL SPECIFICATIONS**

Construction	Control cover for check function
Mounting position	any
Installation dimension	see dimension to ISO 7368
	see data sheet 2.13-1023
Ambient temperature	-25...+70 °C
Fastening torque	$M_D = 190 \text{ Nm}$ (qual. 8.8) for fixing screws

**HYDRAULIC SPECIFICATIONS**

Fluid	Mineral oil, other fluid on request
Contamination efficiency	ISO 4406:1999, class 18/16/13 (Required filtration grade $\beta_{6...10} \geq 75$ ) see data sheet no. 1.0-50/2
Viscosity range	12 mm <sup>2</sup> /s to 320 mm <sup>2</sup> /s
Fluid temperature	-20...+70 °C
Operation pressure	$p_{\max} = 350 \text{ bar}$

**DIMENSIONS**

**PARTS LIST**

Position	Article	Description
10	063.2008	Plate to 410
	063.2000	Plate to 420
	063.2029	Plate to 430
	063.2032	Plate to 431, 432, 433, 434
20	238.2406	Locking screw VSTI G1/4"
	238.3402	Locking screw VSTI G3/8"
30	246.7135	Cyl. screw M16x35 DIN912
40	221.2470	Pin $\varnothing 5 \times 16$ DIN1481
50	160.2092	O-Ring ID 9,19x2,62
60	118.2032	Orifice M5 / 0,8 x 5
	118.2052	Orifice M5 / 0,9 x 5
	118.2031	Orifice M5 / 1,0 x 5
	118.2058	Orifice M5 / 1,2 x 5
	118.2072	Orifice M5 / 1,5 x 5

**PILOT OPERATED VALVES**

Pilot operated valves:	431	WDMFA06-AB1	Data sh. 1.2-59
	432	WDMFA06-AB2	Data sh. 1.2-59
	433	AS32060b	Data sh. 1.11-2140
	434	AS32061a	Data sh. 1.11-2140