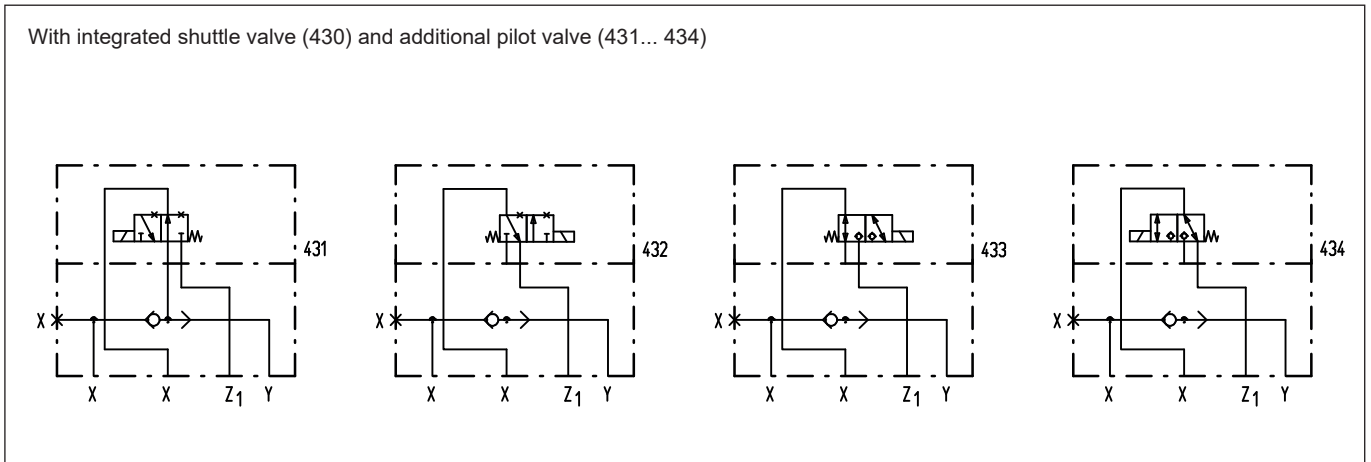
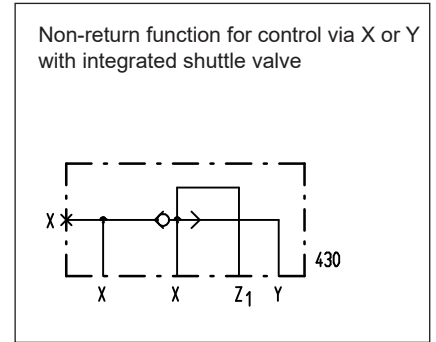
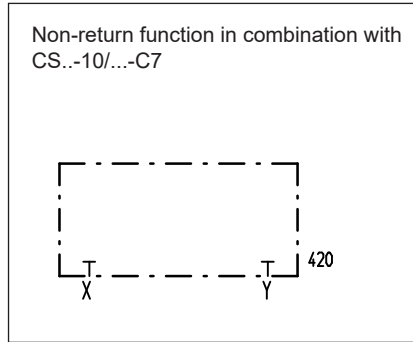
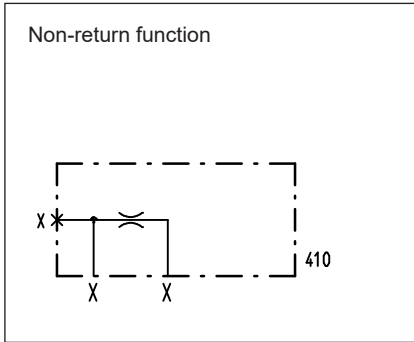


**Control cover
for check function**

 • $p_{max} = 350 \text{ bar}$
NG 25
 ISO 7368

TYPE CODE

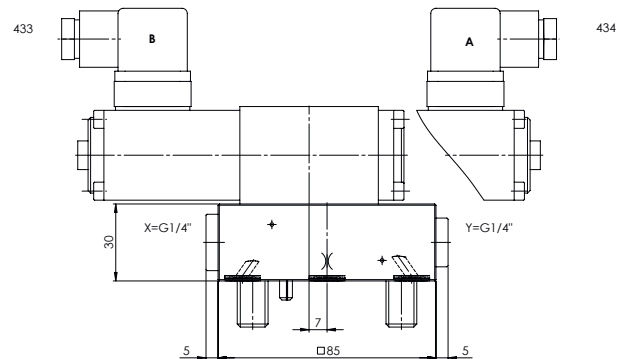
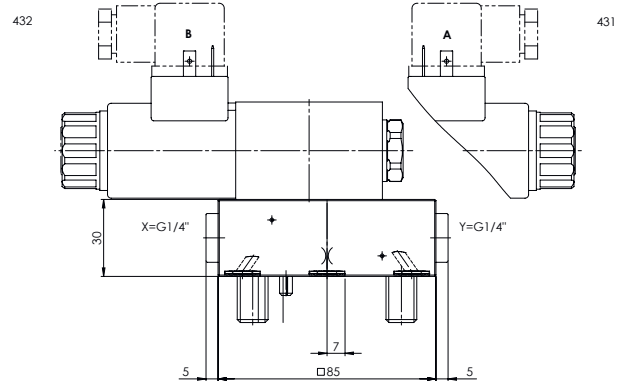
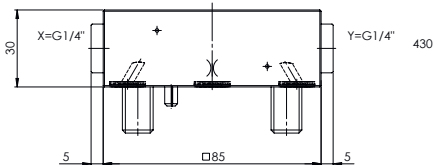
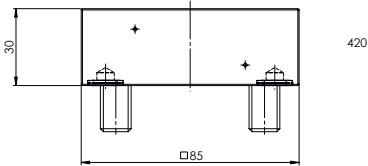
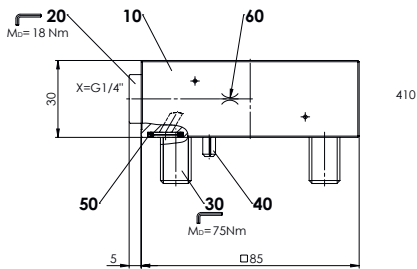
Control cover				D	25		-		/	#	
Nominal size 25											
Pilot no. 410...434											
Solenoid type for pilot valve											
Standard	431, 432										
	433, 434										
Nominal voltage U_N	12 VDC										
	24 VDC										
Orifice in cover	0.6 mm										
	1.0 mm										
Omit if without orifice											
Design-Index (Subject to change)											

GENERAL SPECIFICATIONS

Construction	Control cover for check function
Mounting position	any
Installation dimension	see dimension to ISO 7368 see data sheet 2.13-1022
Ambient temperature	-25...+70 °C
Fastening torque	$M_D = 80 \text{ Nm}$ (Qual. 8.8) for fixing screws

HYDRAULIC SPECIFICATIONS

Fluid	Mineral oil, other fluid on request
Contamination efficiency	ISO 4406:1999, class 18/16/13 (Required filtration grade $\beta_{6...10} \geq 75$) see data sheet no. 1.0-50/2
Viscosity range	12 mm ² /s bis 320 mm ² /s
Fluid temperature	-20...+70 °C
Operation pressure	$p_{\max} = 350 \text{ bar}$

DIMENSIONS

PARTS LIST

Position	Article	Description
10	063.1016	Plate to 410
	063.1006	Plate to 420
	063.1038	Plate to 430
	063.1010	Plate to 431, 432, 433, 434
20	238.2406	Locking screw VSTI G1/4"
30	246.6136	Cyl. screw M12x35 DIN912
40	221.2470	Pin $\varnothing 5 \times 16$ DIN1481
50	160.2092	O-Ring ID 9,19x2,62
60	118.2051	Orifice M5 / 0,6 x 5
	118.2030	Orifice M5 / 0,7 x 5
	118.2032	Orifice M5 / 0,8 x 5
	118.2052	Orifice M5 / 0,9 x 5
	118.2031	Orifice M5 / 1,0 x 5

PILOT OPERATED VALVES

Pilot operated valves:	Article	Data sh.
431	WDMFA04-AB1	Data sh. 1.2-33
432	WDMFA04-AB2	Data sh. 1.2-33
433	BS32040b	Data sh. 1.11-2120
434	BS32041a	Data sh. 1.11-2120