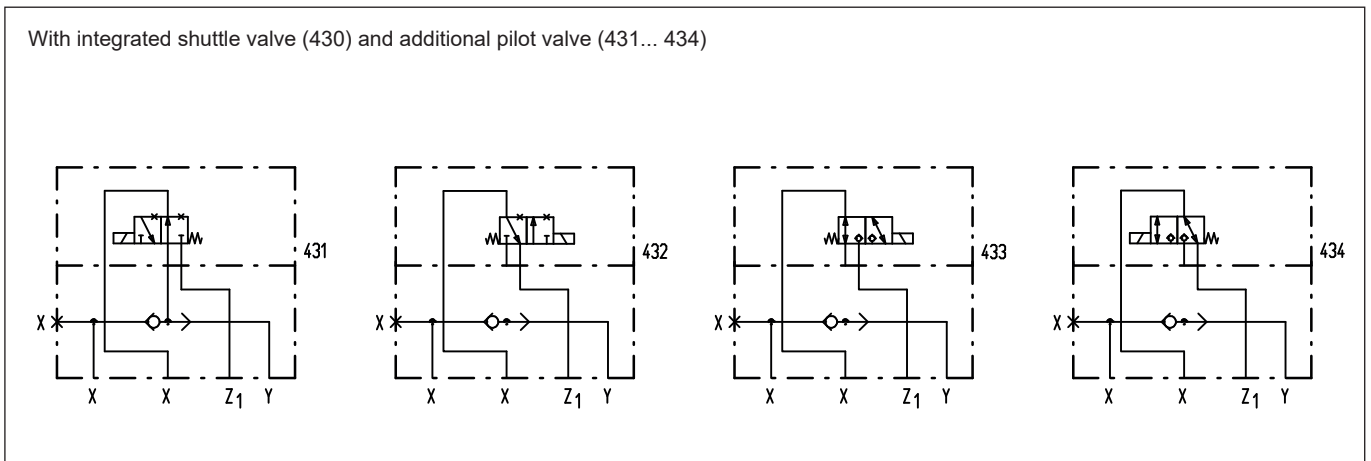
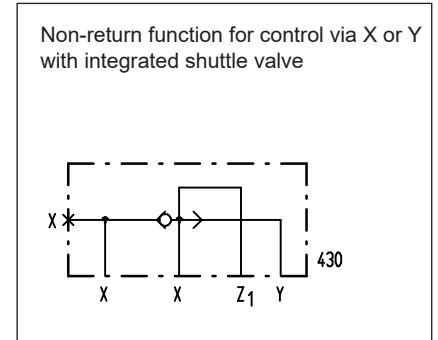
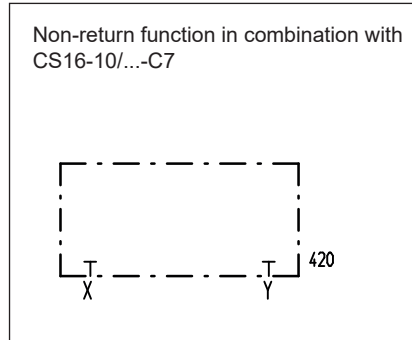
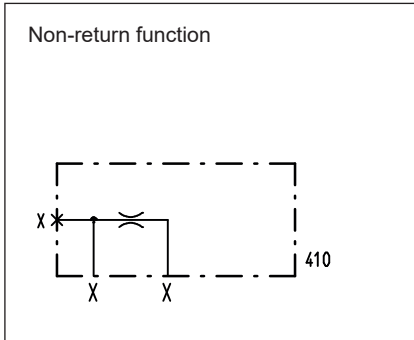


**Control cover
for check function**

 • $p_{max} = 350 \text{ bar}$
NG 16
 ISO 7368

TYPE CODE

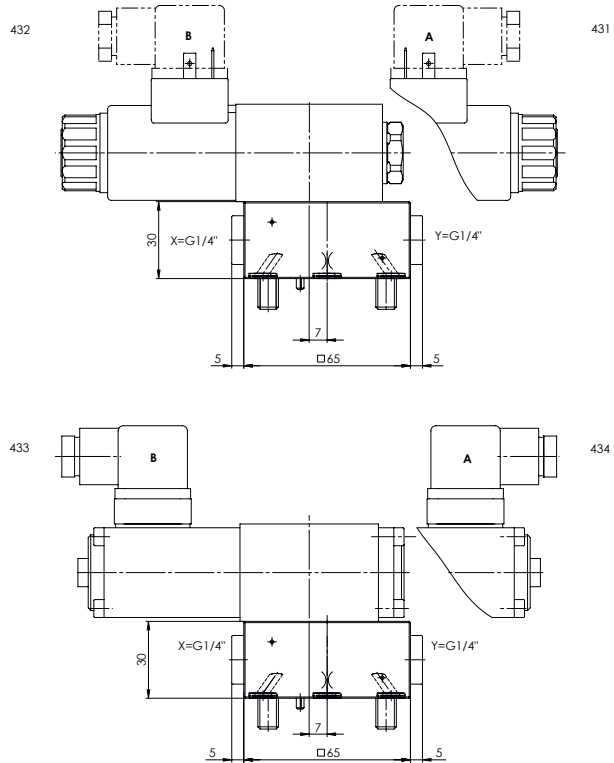
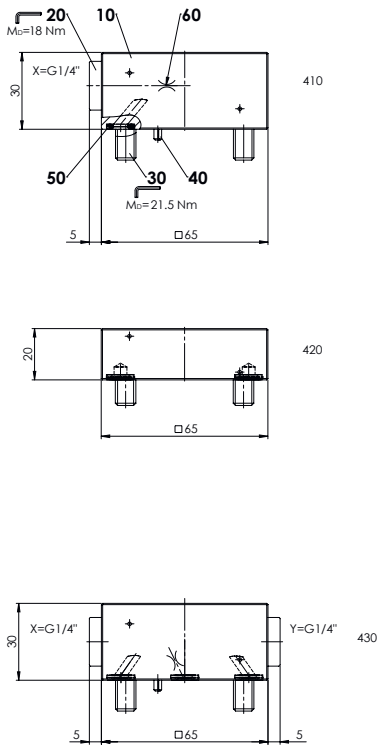
Control cover				D	16		-		/	#	
Nominal size	16										
Pilot no.	410...434										
Solenoid type for pilot valve											
Standard	431, 432					M	.. / VD				
	433, 434					S					
Nominal voltage U_N	12 VDC					G12		115 VAC			R115
	24 VDC					G24		230 VAC			R230
Orifice in cover	0.6 mm					0.6					
	1.0 mm					1.0		etc.			
Omit if without orifice											
Design-Index (Subject to change)											

GENERAL SPECIFICATIONS

Construction	Control cover for check function
Mounting position	any
Installation dimension	see dimension to ISO 7368, see data sheet 2.13-1021
Ambient temperature	-25...+70 °C
Fastening torque	M _D = 25 Nm (qual. 8.8) for fixing screws

HYDRAULIC SPECIFICATIONS

Fluid	Mineral oil, other fluid on request
Contamination efficiency	ISO 4406:1999, class 18/16/13 (Required filtration grade β ₆ ...10≥75) see data sheet no. 1.0-50/2
Viscosity range	12 mm ² /s bis 320 mm ² /s
Fluid temperature	-20...+70 °C
Operation pressure	p _{max} = 350 bar

DIMENSIONS

PARTS LIST

Position	Article	Description
10	063.0016	Plate to 410
	063.0005	Plate to 420
	063.0024	Plate to 430
	063.0030	Plate to 431, 432, 433, 434
	238.2406	Locking screw VSTI G1/4"
20	246.4121	Cyl. screw M8x20 DIN912
	246.4131	Cyl. screw M8x30 DIN912
40	221.2255	Pin Ø3x10 DIN1481
50	160.2061	O-ring ID 6,02x2,62
60	118.2051	Orifice M5 / 0,6 x 5
	118.2030	Orifice M5 / 0,7 x 5
	118.2032	Orifice M5 / 0,8 x 5
	118.2052	Orifice M5 / 0,9 x 5
	118.2031	Orifice M5 / 1,0 x 5

PILOT OPERATED VALVES

Pilot operated valves: 431	WDMFA04-AB1	Data sh. 1.2-33
432	WDMFA04-AB2	Data sh. 1.2-33
433	BS32040b	Data sh. 1.11-2120
434	BS32041a	Data sh. 1.11-2120