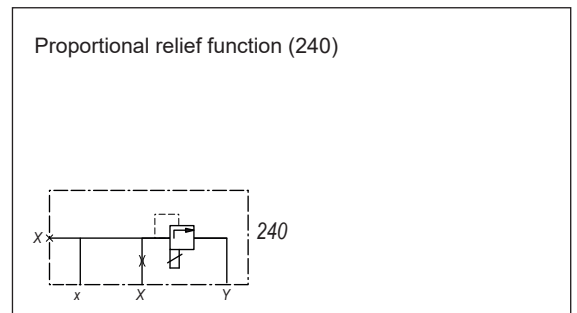
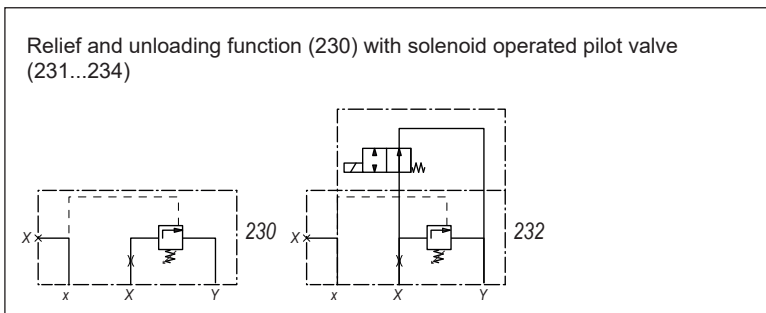
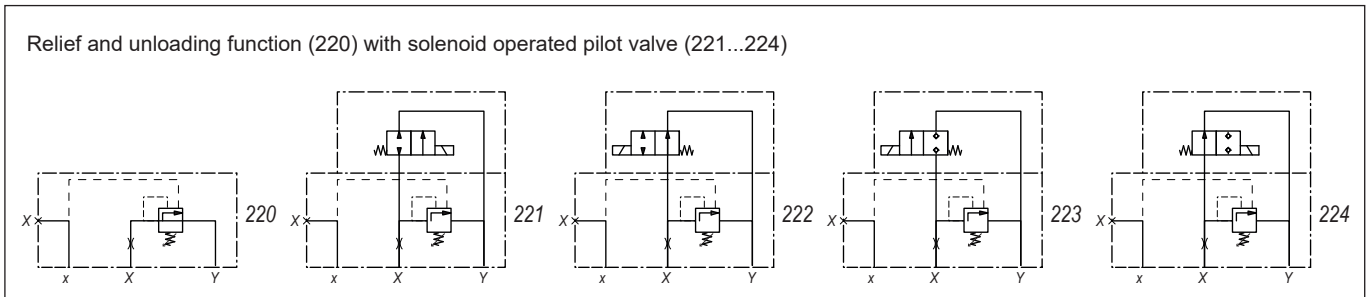
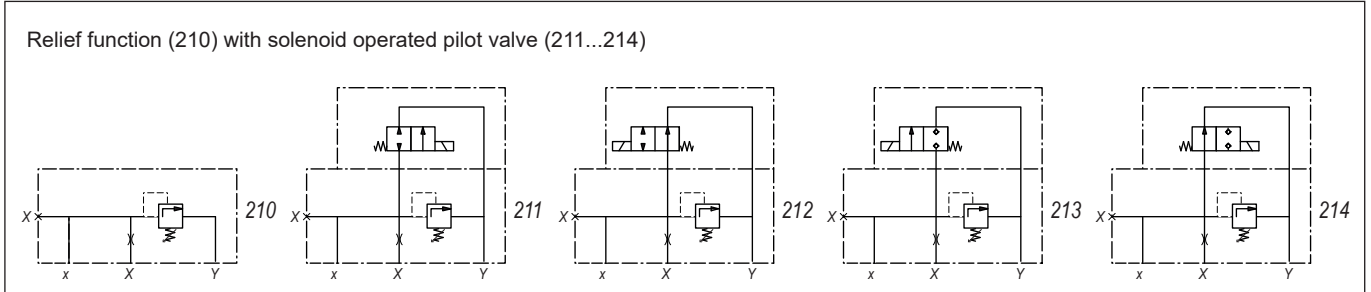


**Control cover
for pressure function**

 • $p_{max} = 350 \text{ bar}$
NG 32
 ISO 7368

TYPE CODE

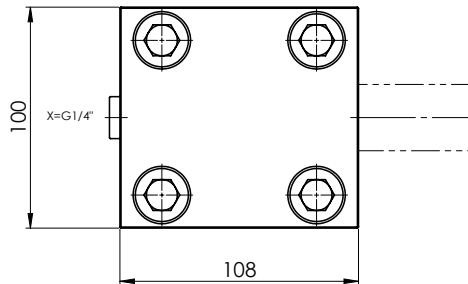
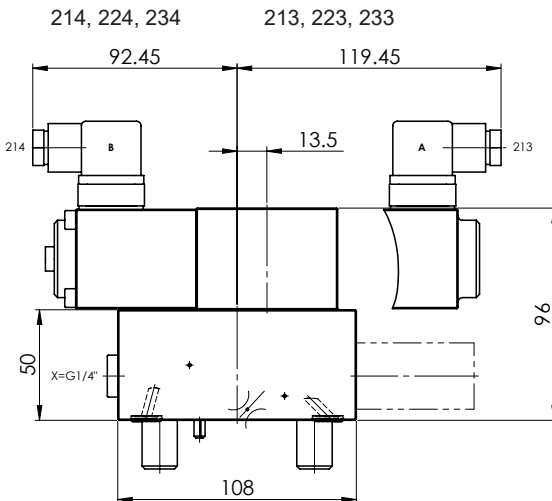
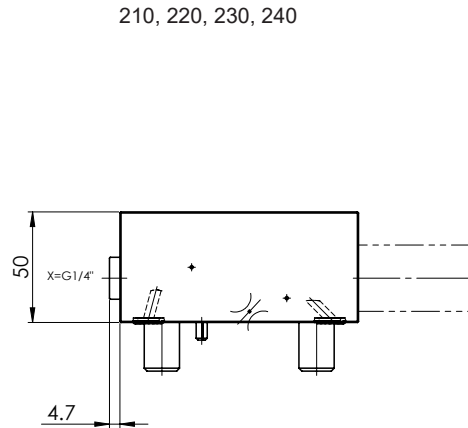
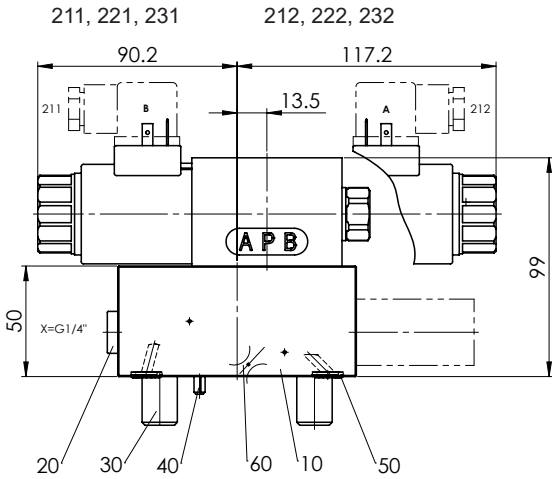
| | | | | | | | | | | | | | |
|--|------------------------------|--------------------------|-----|---------|--------------------------|--------------------------|--------------------------|---|--------------------------|---|--------------------------|------------------------------------|--------------------------|
| Control cover | D 32 | | | | <input type="checkbox"/> | - | <input type="checkbox"/> | / | <input type="checkbox"/> | - | <input type="checkbox"/> | # | <input type="checkbox"/> |
| Size 32 | | | | | | | | | | | | | |
| Pilot no. 210...240 | | | | | | | | | | | | | |
| Solenoid type for pilot valve | | | | | | | | | | | | | |
| Standard | 211, 212, 221, 222, 231, 232 | <input type="checkbox"/> | M | .. / WD | | | | | | | | | |
| | 213, 214, 223, 224, 233, 234 | <input type="checkbox"/> | S | .. / WD | | | | | | | | | |
| | 240 | <input type="checkbox"/> | G | .. / WD | | | | | | | | | |
| Nominal voltage U_N | 12 VDC | <input type="checkbox"/> | G12 | | 115 VAC | <input type="checkbox"/> | R115 | | | | | | |
| | 24 VDC | <input type="checkbox"/> | G24 | | 230 VAC | <input type="checkbox"/> | R230 | | | | | | |
| Orifice in cover | 0.6 mm | <input type="checkbox"/> | 0.6 | | | | | | | | | | |
| | 1.0 mm | <input type="checkbox"/> | 1.0 | etc. | | | | | | | | | |
| Omit if without orifice | | | | | | | | | | | | | |
| Setting versions S, D, K, A (not applicable at cover 240) and press. range from press. valve | | | | | | | | | | | | e.g. <input type="checkbox"/> D250 | |
| Design-Index (Subject to change) | | | | | | | | | | | | | |

GENERAL SPECIFICATIONS

| | |
|------------------------|---|
| Construction | Control cover for directional function |
| Mounting position | any |
| Installation dimension | see dimension to ISO 7368 |
| Ambient temperature | -25...+70 °C |
| Fastening torque | M _D = 190 Nm (Qual. 8.8) for fixing screws |

HYDRAULIC SPECIFICATIONS

| | |
|--------------------------|---|
| Fluid | Mineral oil, other fluid on request |
| Contamination efficiency | ISO 4406:1999, class 18/16/13 (Required filtration grade β ₆ ...10≥75) see data sheet no. 1.0-50/2 |
| Viscosity range | 12 mm ² /s to 320 mm ² /s |
| Fluid temperature | -20...+70 °C |
| Operation pressure | p _{max} = 350 bar |

DIMENSIONS

VALVES

| | | | |
|-------------------------------------|---------------|-------------------------|----------------------|
| Pilot operated valves: | 211, 221, 231 | WDMFA06-AB2 | Data sheet 1.2-59 |
| | 212, 222, 232 | WDMFA06-AB1 | Data sheet 1.2-59 |
| | 213, 223, 233 | AS22061a | Data sheet 1.11-2140 |
| | 214, 224, 234 | AS22060b | Data sheet 1.11-2140 |
| Pressure valves: | 210...214 | BA.PM22 | Data sheet 2.1-540 |
| | 220...224 | BY.PM22 | Data sheet 2.1-544 |
| | 230...234 | BX.PM22 | Data sheet 2.1-544 |
| | 240 | BDPPM22 | Data sheet 2.3-540 |
| Pressure ranges from press. valves: | 210...214 | 63, 160, 315, 350 [bar] | |
| | 220...224 | 100, 315 [bar] | |
| | 230...234 | 100, 315 [bar] | |
| | 240 | 40, 100, 200, 315 [bar] | |

PARTS LIST

| Position | Article | Description |
|----------|----------|-----------------------------|
| 10 | 063.2036 | Plate to 210, 220, 230, 240 |
| | 063.2037 | Plate to other types |
| 20 | 238.2406 | Locking screw VSTI G1/4" |
| 30 | 246.7156 | Cyl. screw M16x55 DIN912 |
| 40 | 221.2470 | Pin Ø5x16 DIN1481 |
| 50 | 160.2092 | O-ring ID 9,19x2,62 |
| 60 | 118.2032 | Orifice M5 / 0,8 x 5 |
| | 118.2052 | Orifice M5 / 0,9 x 5 |
| | 118.2031 | Orifice M5 / 1,0 x 5 |
| | 118.2058 | Orifice M5 / 1,2 x 5 |
| | 118.2072 | Orifice M5 / 1,5 x 5 |