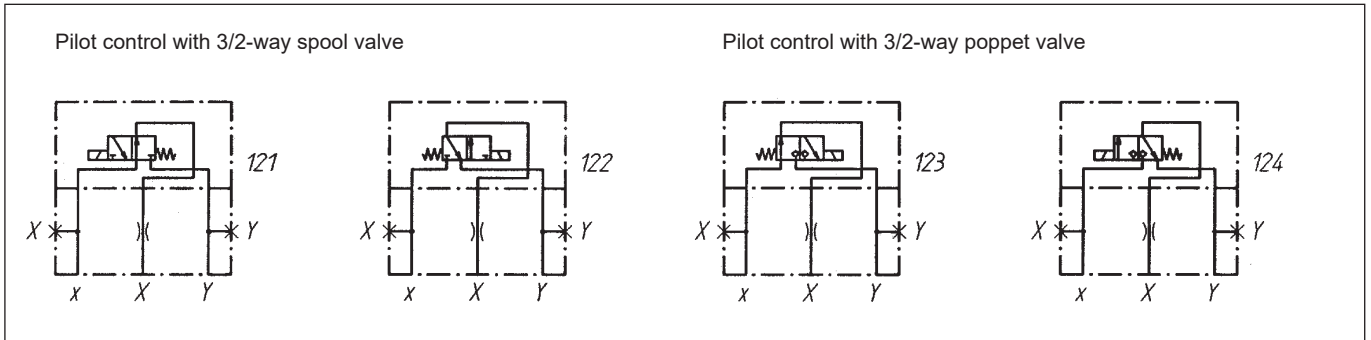
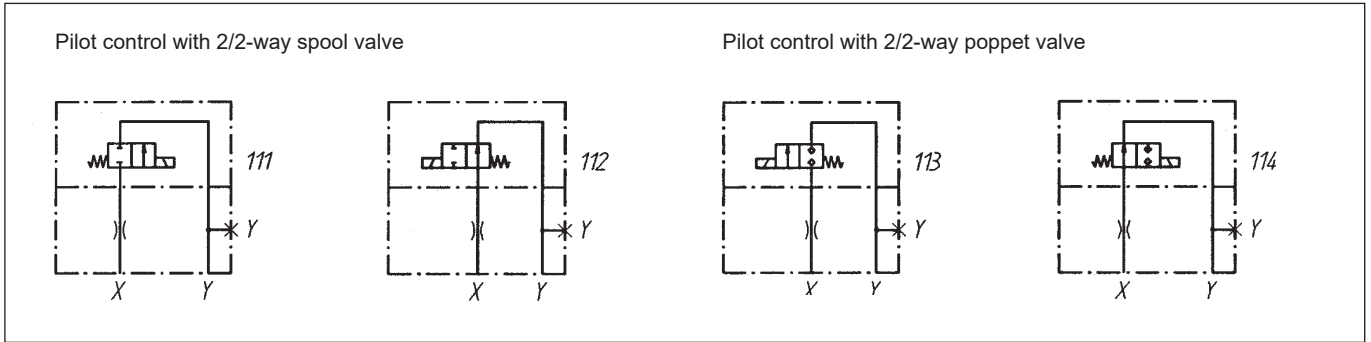


Control cover  
 for directional function  
 •  $p_{max} = 350 \text{ bar}$

**NG 25**  
 ISO 7368



**TYPE CODE**

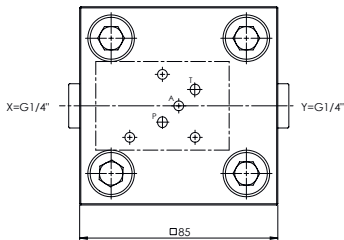
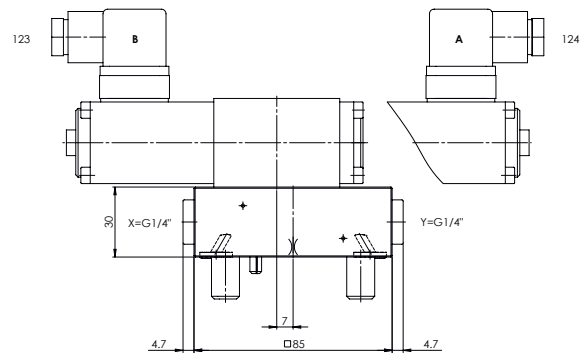
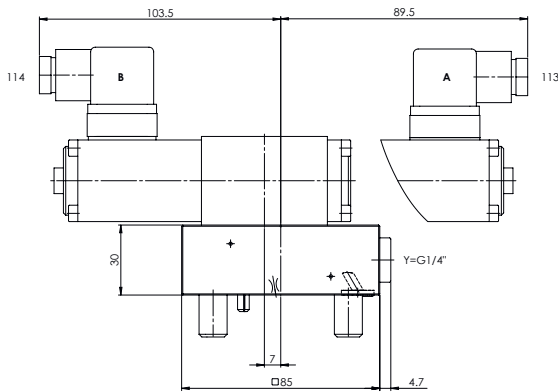
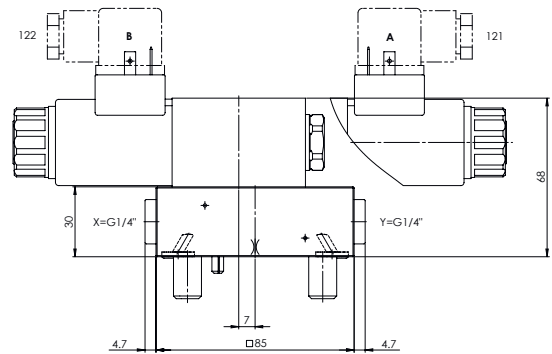
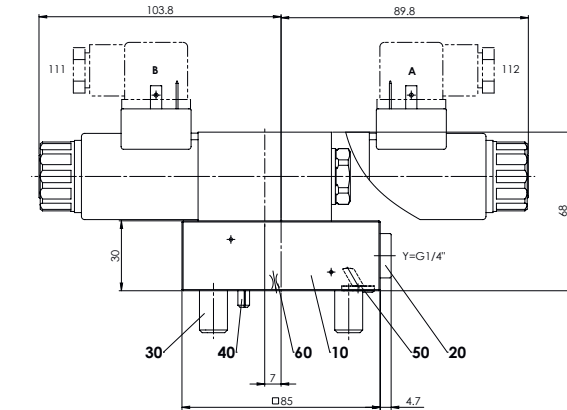
Control cover				D	25	<input type="text"/>	-	<input type="text"/>	/	<input type="text"/>	#	<input type="text"/>
Size 25												
Pilot no. 111...124												
Solenoid type for pilot valve												
Standard	111, 112, 121, 122			M	.. / VD							
	113, 114, 123, 124			S								
Nominal voltage $U_N$	12 VDC	<input type="text"/>				115 VAC		<input type="text"/>				
	24 VDC	<input type="text"/>				230 VAC		<input type="text"/>				
Orifice in cover	0.6 mm	<input type="text"/>										
	1.0 mm	<input type="text"/>	etc.									
Omit if without orifice												
Design-Index (Subject to change)												

**GENERAL SPECIFICATIONS**

Construction	Control cover for directional function
Mounting position	any
Installation dimension	see dimension to ISO 7368
Ambient temperature	-25...+70 °C
Fastening torque	M <sub>D</sub> = 80 Nm (Qual. 8.8) for fixing screw

**HYDRAULIC SPECIFICATIONS**

Fluid	Mineral oil, other fluid on request
Contamination efficiency	ISO 4406:1999, class 18/16/13 (Required filtration grade β <sub>6</sub> ...10≥75) see data sheet no. 1.0-50/2
Viscosity range	12 mm <sup>2</sup> /s to 320 mm <sup>2</sup> /s
Fluid temperature	-20...+70 °C
Operation pressure	p <sub>max</sub> = 350 bar

**DIMENSIONS**

**PARTS LIST**

Position	Article	Description
10	063.1013	Plate to 111, 112, 113, 114
	063.1011	Plate to other types
20	238.2406	Locking screw VSTI G1/4"
30	246.6136	Cylinder screw M12x35 DIN912
40	221.2470	Pin Ø5x16 DIN1481
50	160.2092	O-Ring ID 9,19x2,62
60	118.2051	Orifice M5 / 0,6 x 5
	118.2030	Orifice M5 / 0,7 x 5
	118.2032	Orifice M5 / 0,8 x 5
	118.2052	Orifice M5 / 0,9 x 5
	118.2031	Orifice M5 / 1,0 x 5

**PILOT VALVES**

Pilot operated valves:	111, 122	WDMFA04-AB2	Data sheet 1.2-33
	112, 121	WDMFA04-AB1	Data sheet 1.2-33
	113	BS22041a	Data sheet 1.11-2120
	114	BS22040b	Data sheet 1.11-2120
	123	BS32040b	Data sheet 1.11-2120
	124	BS32041a	Data sheet 1.11-2120