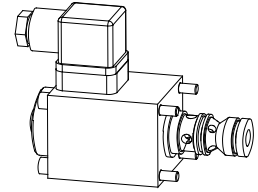


Solenoid poppet valve cartridge

- normally open
- $Q_{max} = 40 \text{ l/min}$
- $p_{max} = 315 \text{ bar}$

NG6

DESCRIPTION

This 2/2-way poppet valve in slip-in cartridge design is mainly used in blocs for hydraulic integrated circuits. Poppet cartridge and spring will be supplied as separate items, if ordered, together with solenoid (VDE standard 0580) and fastening screws.

Important: at the time the valve is taken into service, the valve must be vented under pressure (max. 2 revolutions of screw E).

FUNCTION

If energised, the pressure proof solenoid presses the poppet auto the seat, acting against a spring. In deenergised state the poppet is lifted off its seat by the spring. One to the pressure balanced design of the poppet-spool no undesired opening as closing forces arise. As a result, oil can flow in both directions through the seating valve. The seat/piston guide is sealed with an O-ring. The seat with a metallic seal closes off the valve so that there is no leakage oil.

APPLICATION

Wandfluh poppet valves can be used anywhere absolutely leak tight closing functions are important. Completely sealed loading, gripping and clamping operations are all important functions which Wandfluh poppet valves can perform. Cartridge typ poppet valves can be neatly accommodated in valve blocks. Cavity tools are available for hire or sale for machining aluminium or steel. See data sheet register no. 2.13.

TYPE CODE

Poppet valve cartridge			2 2 06	0-S1265	#	<input type="checkbox"/>
Poppet valve cartridge with solenoid			2 2 06	0-S1265 -	#	<input type="checkbox"/>
Medium-solenoid	<input type="checkbox"/>	<input type="checkbox"/>				
Super-solenoid	<input type="checkbox"/>	<input type="checkbox"/>				
2-way (Connections)						
2 Position						
Nominal size 6						
Normally open						
Nominal voltage U_N	12 VDC	<input type="checkbox"/>	110 VAC	<input type="checkbox"/>		
	24 VDC	<input type="checkbox"/>	115 VAC	<input type="checkbox"/>		
			230 VAC	<input type="checkbox"/>		

Design-Index (Subject to change)

GENERAL SPECIFICATIONS

Description	2/2-way poppet valve
Nominal size	NG6
Construction	Direct operated poppet valve
Operations	Solenoid
Mounting	cartridge form
	4 solenoid fixing screws M5
Ambient temperature	-20...+50 °C
Mounting position	any
Fastening torque	$M_D = 5,2 \text{ Nm}$ (quality 8.8)
Weight: 22060-S1265	$m = 0,06 \text{ kg}$
. 22060-S1265- . .	$m = 0,8 \text{ kg}$
Volume flow direction	any (see characteristics)

ELECTRICAL CONTROL

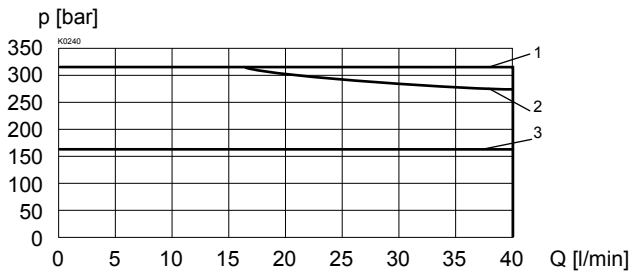
Construction	Solenoid, wet pin push type, pressure tight
Standard-nominal flow	$U_N = 12 \text{ VDC}, 24 \text{ VDC}$ $U_N = 110 \text{ VAC}^*, 115 \text{ VAC}^*, 230 \text{ VAC}^*$ $AC = 50 \text{ to } 60 \text{ Hz}$ * Rectifier integrated in the plug
Voltage tolerance	Other nominal voltages and nominal performances on request
Protection class	$\pm 10\%$ of nominal voltage
Relative duty factor	IP 65 to EN 60529
Switching cycles	100% DF (see data sheet 1.1-430)
Operating life	15000/h
Connections/Power supply	10^7 (number of switching cycles, theoretically)
Solenoid:	Over device plug connection to ISO 4400/DIN 43650, (2P+E), other connections on request – Medium S1N45V (1.1-120) – Super SIS45V (1.1-125)

HYDRAULIC SPECIFICATIONS

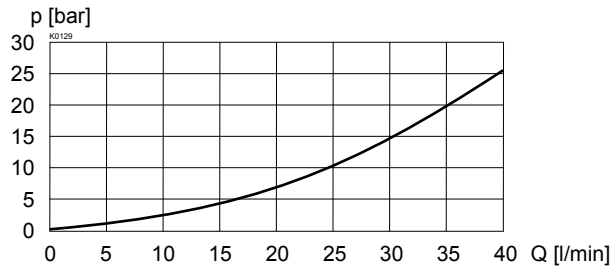
Fluid	Mineral oil, other fluid on request
Contamination efficiency	ISO 4406:1999, class 20/18/14 (Required filtration grade $\beta_{10...16} \geq 75$) refer to data sheet 1.0-50/2
Viscosity range	12 mm ² /s...320 mm ² /s
Fluid temperature	-20...+70 °C
Working pressure	Medium: $p_{max} = 160 \text{ bar}$ Super: $p_{max} = 315 \text{ bar}$
Max. volume flow	$Q_{max} = 40 \text{ l/min}$, see characteristics

SYMBOLS

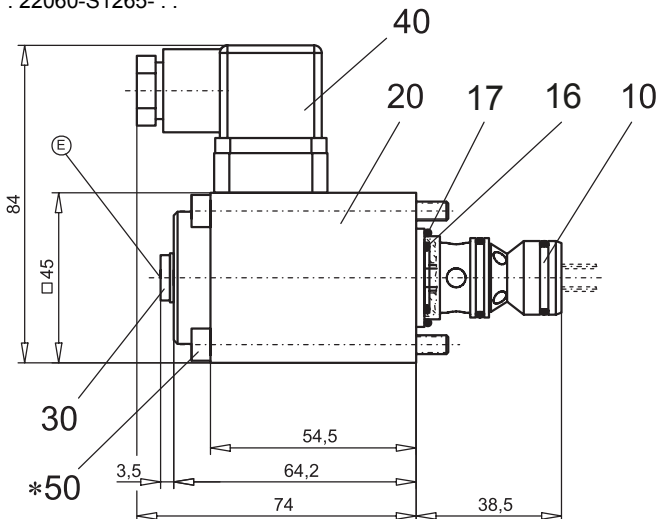
22060-S1265	. 22060-S1265- . .
	

CHARACTERISTICS Oil viscosity $\nu = 30 \text{ mm}^2/\text{s}$
 $p = f(Q)$ Performance limit at -10%


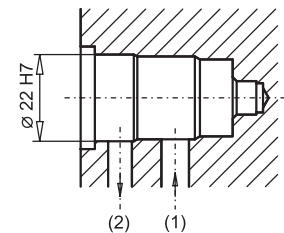
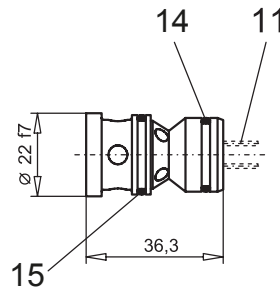
Type	Flow direction	
	1 → 2	2 → 1
M22060-S1265	3	3
S22060-S1265	1	2

 $\Delta p = f(Q)$ Pressure loss / flow characteristics

DIMENSIONS

. 22060-S1265- ...



22060-S1265



For detailed cavity drawing and cavity tools see data sheet 2.13-1018

E = air bleed screw

PARTS LIST

Position	Article	Description
10	500.3002 500.3017	Poppet valve cart. 22060-S1265 Medium Poppet valve cart. 22060-S1265 Super
11	053.2600 053.2616	Spring 1,2x7,2x15 Medium Spring 1,2x7,2x16 Super
14	160.2156	O-ring ID 15,60x1,78
15	160.2170	O-ring ID 17,17x1,78
16	160.2156	O-ring ID 15,60x1,78
17	160.2236	O-ring ID 23,52x1,78
20	260.6... 260.7...	Medium-solenoid SIN45V Super-solenoid SIS45V
30	239.2033	Plug (incl. seal) HB0
40	219.2002	Plug
50	249.2001	Socket head cap screw M5x63

* Cartridge supplied with fastening screw M5x63 for steel bodies/blocs. For aluminium bodies/blocs longer screws are recommended (min. 2 screw diameter).

ACCESSORIES

 Cartridge built-in sandwich body:
 Sandwich

Register 1.11

Special tool 983.2003 to poppet valve cartridge 22060-S1265

Technical explanation see data sheet 1.0-100