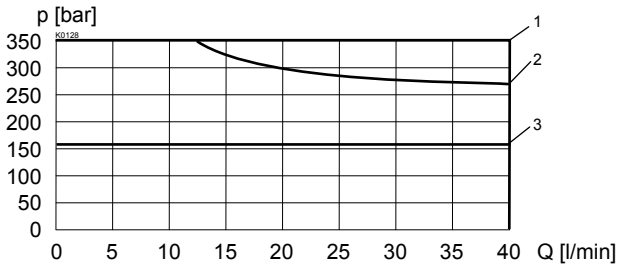
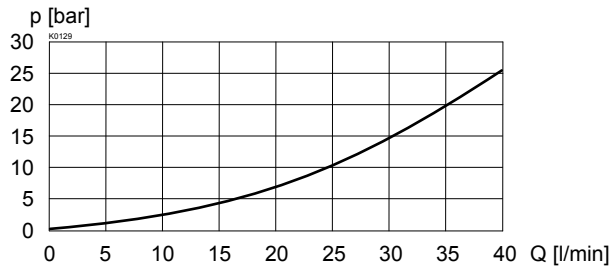


CHARACTERISTICS Oil viscosity $\nu = 30 \text{ mm}^2/\text{s}$
 $p = f(Q)$ Performance limit at -10%

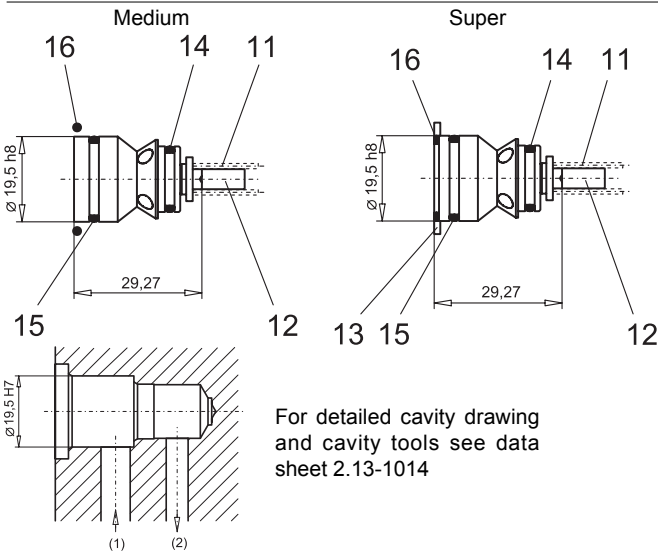


Type	Flow directions	
	1 → 2	2 → 1
M2206	3	3
S2206	1	2

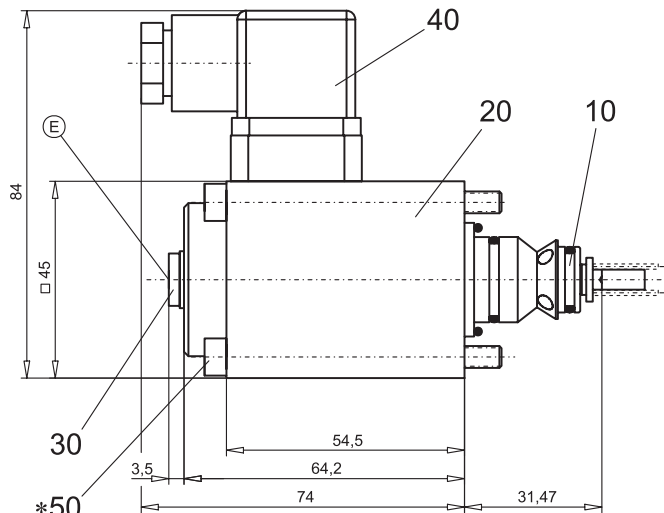
$\Delta p = f(Q)$ Pressure loss / flow characteristics



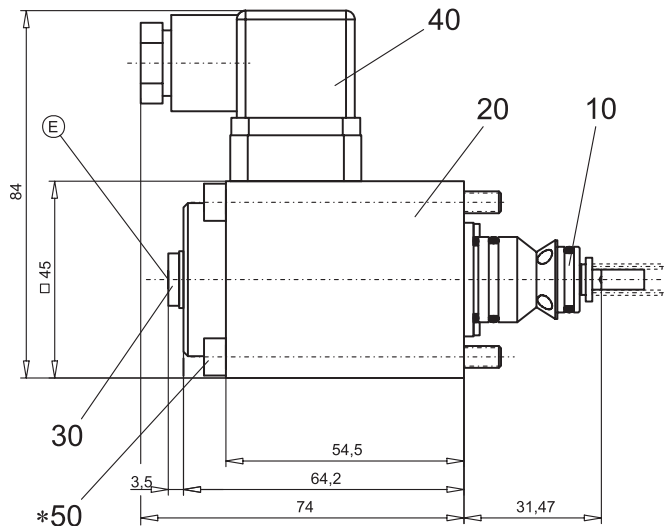
DIMENSIONS



Medium



Super



E = air bleed screw

* Cartridge supplied with fastening screw M5x63 for steel bodies/blocs. For aluminium bodies/blocs longer screws are recommended (min. 2 screw diameter).

PARTS LIST

Position	Article	Description
10	500.3000	Poppet valve cartridge 2206 Medium
	500.3013	Poppet valve cartridge 2206 Super
11	053.2600	Spring 1,2x7,2x15 Medium
	052.2605	Spring 1,2x7,2x16 Super
12	222.0041	Pin
13	212.0502	Washer (only for Super)
14	160.2108	O-ring ID 10,82x1,78
15	160.2156	O-ring ID 15,60x1,78
16	160.2236	O-ring ID 23,52x1,78 Medium
	160.2161	O-ring ID 16,00x1,5 Super
20	260.6 . . .	Medium-solenoid SIN45V
	260.7 . . .	Super-solenoid SIS45V
30	239.2033	Plug (incl. seal) HB0
40	219.2002	Plug
50	249.2001	Socket head cap screw M5x63

ACCESSORIES

Cartridge built in flange- or sandwich body:

Flange Register 1.11
 Sandwich Register 1.11

Special tool 983.2001 to poppet valve cartridge 2206.

Technical explanation see data sheet 1.0-100