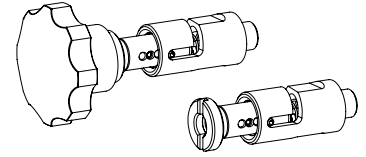


**Manual override**

- ◆ with or without detent
- ◆ with or without star button

**M8 x 0,75**



**DESCRIPTION**

The manual overrides can be screwed into actuators with a M8 x 0,75 thread. The device always has a spring reset, is easy to operate and can be completed by a button. With the additional detent, the actuator can be held in the end position.

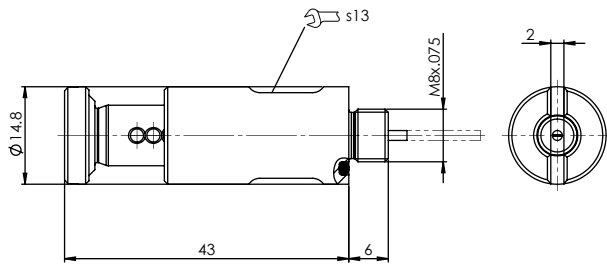
**TYPE CODE**

Manual override				H	<input type="checkbox"/>	#	<input type="checkbox"/>
Spring reset	lockable	<input type="checkbox"/> N20 <input type="checkbox"/> R15 <input type="checkbox"/> R20	<input type="checkbox"/> R17,5 <input type="checkbox"/> R43				
Star button	without with	<input type="checkbox"/> <input type="checkbox"/> K					
Design index (subject to change)							

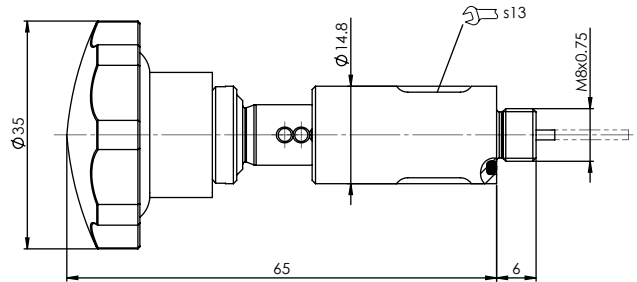
1.1-311

**DIMENSIONS**

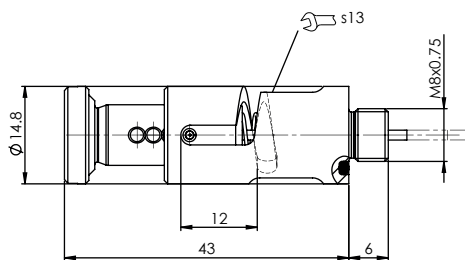
HN20



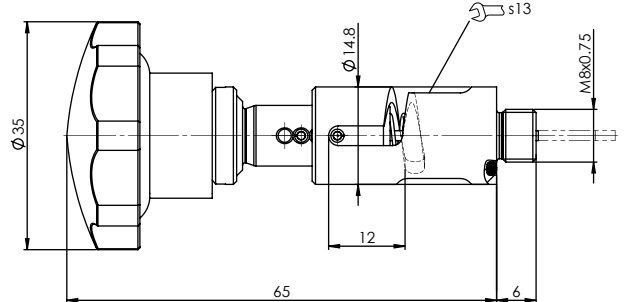
HN20K



HR...



HR...K



**Wandfluh AG** Postfach CH-3714 Frutigen  
Tel. +41 33 672 72 72 Fax +41 33 672 72 12 sales@wandfluh.com