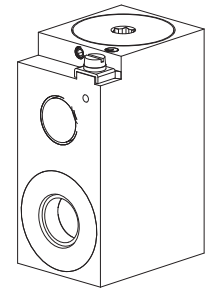


Solenoid coil MKU45/18x60
For explosion-hazard zones
Protection class IP65/67

Protection class acc. to UL / CSA


DESCRIPTION
For explosion-hazard zones

Solenoid coil in acc. with UL and CSA for explosion-hazard zones.

The flameproof enclosure prevents an explosion in the interior from getting outside.

The design prevents a surface temperature capable of igniting.

The steel housing is zinc-/nickel-coated

FUNCTION

In combination with an armature tube, the function of a switching solenoid or of a proportional solenoid results. Solenoid coils in AC - construction have an integrated rectifier. All cable threaded joints certified for this explosion protection class with a protection class of at least IP65 can be used.

APPLICATION

The solenoid coil is suitable for use in all explosion-hazard zones.

This signifies, that the coils are certified for applications in zones with explosion-hazard gas-, steam-, vapour-, air- mixtures.

Valves for explosion-hazard zones are utilised in:

- the shipping- and offshore industries
- the oil- and gas industries
- the chemical industry

CERTIFICATES

in accordance with	Surface Gas	Dust
NEC 500	Class I, Division I, Group A, B, C, D T4	Class II & III, Division I, Group E, F, G T4
NEC 505	Class I, Zone 1, AEx db IIC Gb T4	Class II, Zone 21, AEx tb IIIC T135C Db
Canada	Ex db IIC T4 Gb (Zone 1)	Ex tb IIIC T135C Db (Zone 21)

The certificates can be found on www.wandfluh.com / DOWNLOADS / Accompanying Ex-proof / **MKU45/18-..-L..**

TYPE CODE

M K U 45 / 18 x 60 - / L17 #

Mobile execution, metal housing

Terminal box without cable

Explosion proof version, Ex d / UL

Housing width 45 mm

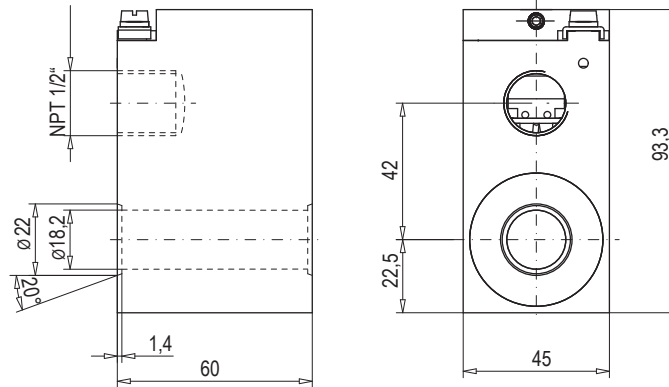
Internal coil diameter 18 mm

Coil length 60 mm

Nominal voltage U_N 12 VDC G 12 115 VAC R 115
 24 VDC G 24

Nominal power P_N 17 W

Design-Index (Subject to change)

DIMENSIONS

CHARACTERISTICS

Coil winding isolation class	H
Protection class in acc. EN 60529	IP65/67, with corresponding cable gland and correct installation
Relative duty factor	100 % DF, combined with armature tube and valve
Reference temperature	Execution L17: -40...+70 °C (Operation as T1...T4)
Housing	Steel housing, Zinc-/Nickel-coated NEMA 4X
Relative humidity factor	max. 95 % (not dew-forming)
Corrosion protection	Salt spray test in accordance with EN ISO 9227 > = 1000 hours
Maximum operating voltage	Nominal voltage +10 %
Nominal frequency	in acc. with name plate ±2 %
Standard nominal voltages	U _N = 12 VDC U _N = 24 VDC U _N = 115 VAC
Standard-nominal powers	P _N = 17 W
Electrical connection	Screw terminal
Wire diameter	0,75...2,5mm ² / 20...14 AWG

	12 VDC
Nominal power (W)	17
Nominal resistance (Ω)	8,5
Recommended rated current for fuse inserts (mA)	3'150
Limiting current (mA) (Proportional function)	1'000
	24 VDC
Nominal power (W)	17
Nominal resistance (Ω)	34
Recommended rated current for fuse inserts (mA)	1'600
Limiting current (mA) (Proportionalfunktion)	510
	115 VAC
Nominal power (W)	17
Nominal resistance (Ω)	607
Recommended rated current for fuse inserts (mA)	400

OPERATION SECURITY


The solenoid coil must only be put into operation, if the requirements of the operating instructions supplied are observed to their full extent.
 In case of non-observance, no liability can be assumed.

A corresponding fuse in accordance with its design current has to be connected in series as short-circuit protection for every solenoid coil.

ACCESSORIES

- The operating instructions MKU45/18x60 is supplied in German, English and French (download under www.wandfluh.com)
- Certificate / ATM (download under www.wandfluh.com)

INSTALLATION

For stack assembly please observe the remarks in the operating instructions.