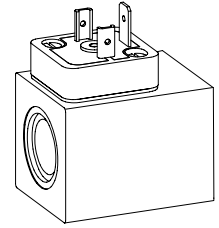


**Solenoid coil M.E35/16x40
 to VDE 0580
 Protection class IP65**

DESCRIPTION

The slip-on solenoid coil M.E35/16x40 is available with different types of electric connections (see type code). The construction corresponds to standard VDE 0580.

FUNCTION

In combination with the corresponding armature tube the function of an on-off solenoid or proportional solenoid will be obtained. The AC voltage type incorporates a rectifier. The available AC voltages are listed in the type code section.

APPLICATION

Due to its robust design the coil is mainly intended for hydraulic applications.

TYPE CODE

Metal housing, square		M	<input type="checkbox"/>	E35 / 16	x 40 -	<input type="checkbox"/>	#	<input type="checkbox"/>
Connection execution								
Connector socket EN 175301-803 / ISO 4400				<input type="checkbox"/>	D			
Connector socket AMP Junior-Timer				<input type="checkbox"/>	J			
Flying leads execution				<input type="checkbox"/>	L			
Coil execution								
Internal coil diameter 16 mm								
Coil length 40 mm								
Nominal voltage U_N	12 VDC			<input type="checkbox"/>	G12			
	24 VDC			<input type="checkbox"/>	G24			
	115 VAC			<input type="checkbox"/>	R115	*		
	230 VAC			<input type="checkbox"/>	R230	*		
* AC-Execution								
- Only with connection type: «D»								
- 50 to 60 Hz								
- Rectifier integrated in the plug plate								
- Other nominal voltages and nominal power on request								
Design-Index (Subject to change)								

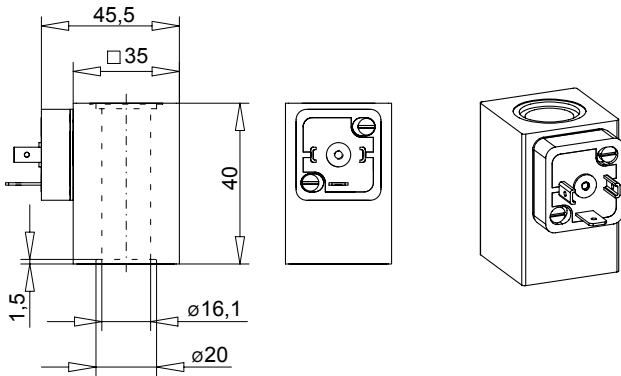
SPECIFICATIONS

		12 VDC	24 VDC	115 VAC	230 VAC
Coil winding	min. H (180 °C)				
insulation class					
Relative duty factor	100% DF / ED when mounted on armature tube and valve				
Ambient temperature	-20...+90 °C				
Voltage range	10–250 VDC 24–250 VAC				
Nominal power (On/off function)		20	20	20	20
Nominal resistance (Ω)		7,5	29	530	2550
Weight of solenoid coil (kg)		0,28	0,28	0,28	0,28

SAFE OPERATION

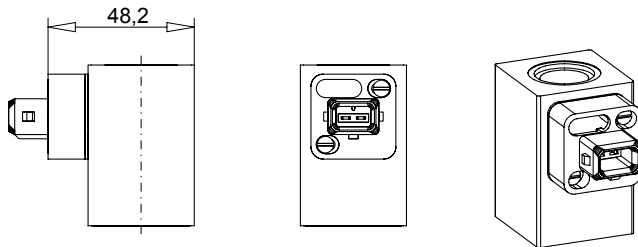
Caution: To avoid overheating the coil may only be energised when mounted on an armature tube and valve.

TYPE LISTE / DIMENSIONS / GENERAL SPECIFICATIONS



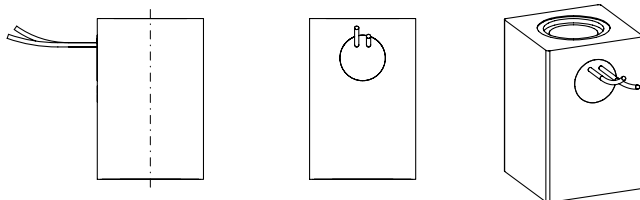
Execution: M **D** E35/16x40-...

- 3 contacts 2 P+E
 - DC- and AC-execution available
 - Connector socket plastic
 - Protection class IP65
- With corresponding mating connector
(not included in delivery)
and professional assembly.



Execution: M **J** E35/16x40-...

- 2 contacts 2P
 - DC-execution available
 - only for $U_N \leq 75$ VDC
 - Connector socket plastic
 - Protection class IP65
- With corresponding mating connector
(not included in delivery)
and professional assembly.



Execution: M **L** E35/16x40-...

- 2 leads 2P (2x 0,25 mm²) Radox 155
 - Cable length 500 mm
 - DC-execution available
 - only for $U_N \leq 75$ VDC
 - Protection class IP65
- With professional assembly.

Technical explanation see data sheet 1.1-400