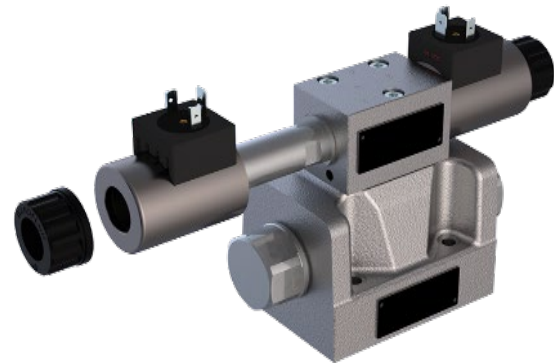


NG10 SPOOL VALVES **PILOT OPERATED**



SPOOL VALVE FLANGE TYPE

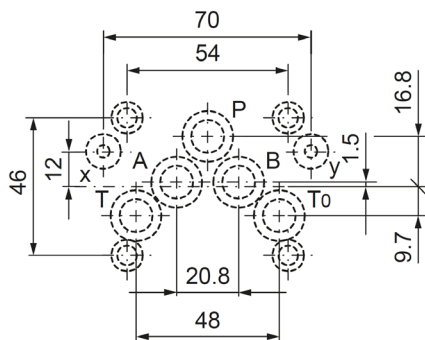
Pilot valve version	Medium slip-on coil, Ex-protection slip-on coil (MKY / MKZ)
Pilot operated	High flow values
Q _{max}	160 l/min
p _{max}	350 bar
4/2-way	impulse execution detented
4/3-way	With spring centred mid position
4/2-way	With spring reset



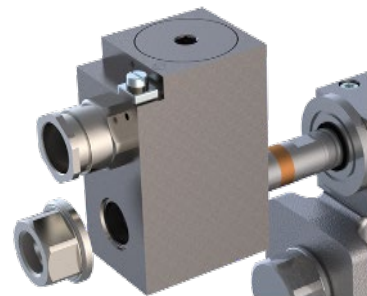
Round slip-on coil according to DIN VDE standard 0580

DESCRIPTION

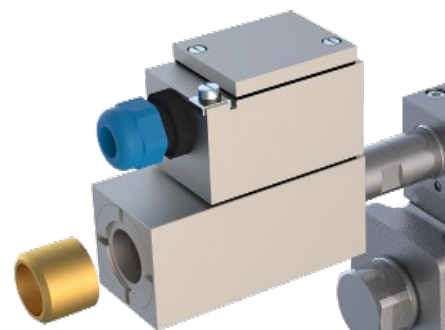
The pilot operated spool valve is available in three different versions. One is the standard version (with slip-on coil Medium) and the others are the explosion-protected versions. The MKU and MKY slip-on coils are supplied with Ex d certificate. The MKZ slip-on coil has Ex ia certification.



Hydraulic connection NG10



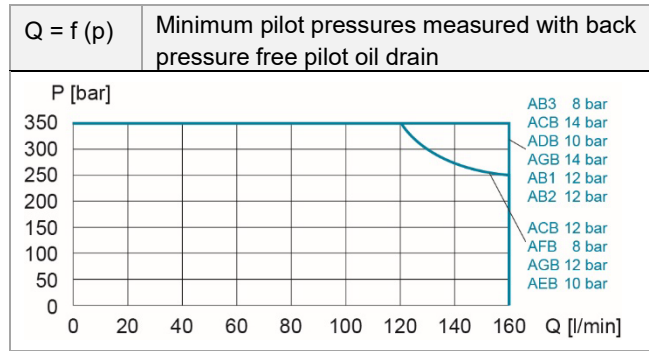
Ex d slip-on coil (flameproof enclosure) MKU and MKY



Ex i slip-on coil (intrinsically safe) MKZ

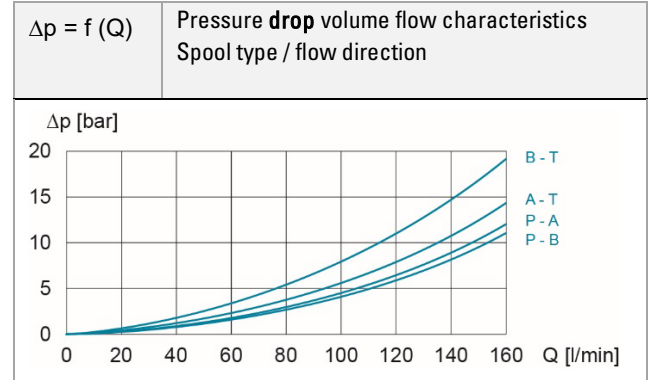


PERFORMANCE LIMITS



Different spool types (measured at xx bar pilot pressure)

VOLUME FLOW SPECIFICATIONS



Pressure drop volume flow characteristics

WITH DIFFERENT TYPES OF PILOT OPERATION

