

SENSITIVE **PRESSURE CONTROL**

PRESSURE CONTROL AS CARTRIDGE OR ASSEMBLY

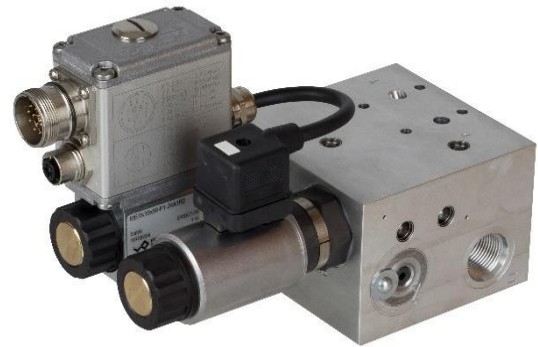
Operating pressure	Up to 350 bar
Flow rate	Up to 20 l/min
Nominal size	CETOP3 NG6

FIELD OF APPLICATION

Due to the know-how in hydraulics and electronics, the use of the Wandfluh combination is a safe solution for high demands on pressure stability or precise step responses. The combination of these competences results in precise pressure stability and the simple combination of the series products convinces with a good price-performance ratio. The solution can be used as a screw-in cartridge or as a CETOP assembly.



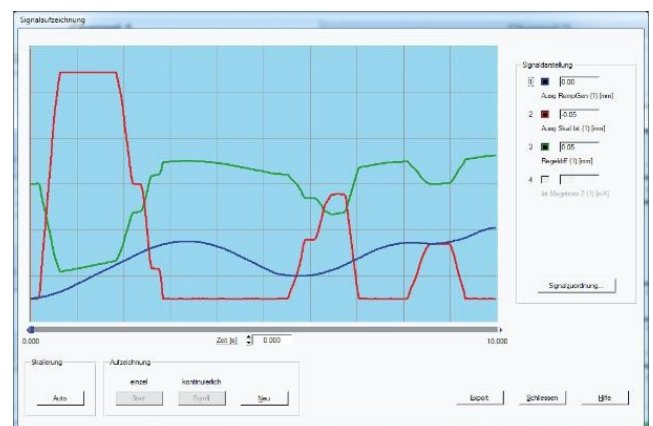
Textile industry



CETOP3 | NG6 assembly with DSV electronics

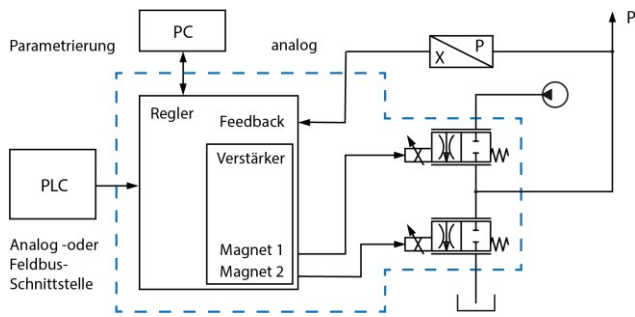
DESCRIPTION

By means of the throttle valves in the input and output, the pressure control is determined by the oil quantity in the consumer. In cooperation with the electronics, the module works harmoniously and regulates the oil inflow respectively outflow, and thus the pressure level in the consumer. Pressure control can be used in both static and dynamic applications.

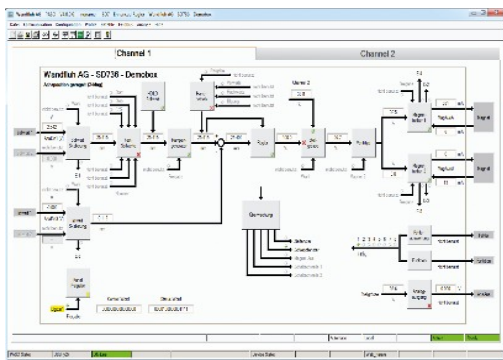


Programming and recording the signal characteristic

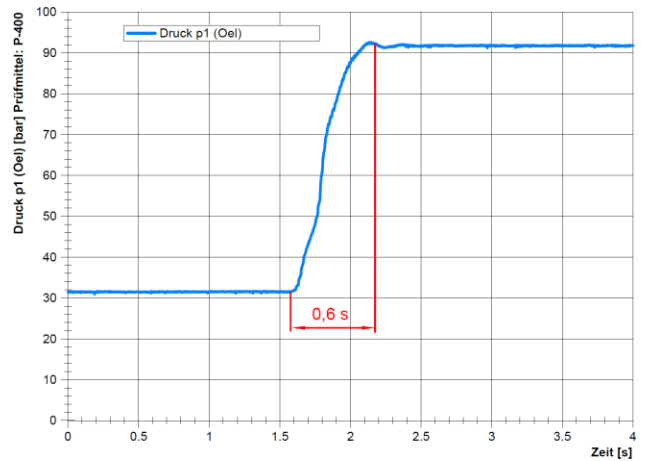
ASSISTANCE



Detailed functional diagram



Intuitively controlled parameterisation software



Performance features

FEATURES

- Extremely high pressure stability
- No oscillation with step response
- Short response time for step response
- Easy installation and commissioning

