

SOLENOID OPERATED POPPET VALVE DETENTED

A_3206rr / AExd3206rr

SOLENOID OPERATED POPPET VALVE DETENTED FLANGE CONSTRUCTION

Direct operated	NG6 detented
Q _{max}	40 l/min
p _{max}	350 bar

DESCRIPTION

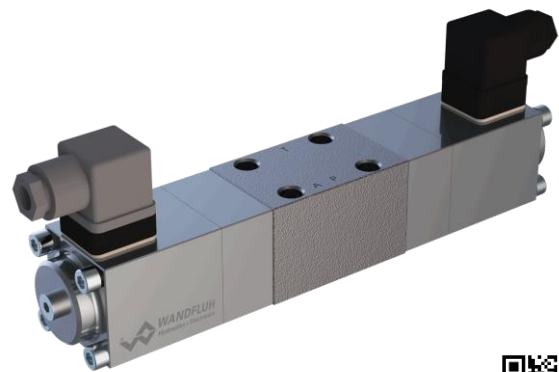
Direct operated 3/2-way solenoid operated poppet valve in flange construction. By means of the pressure tight switching solenoid, the poppet valve spool is opened or closed acting against the spring and is held in the corresponding switching position by the form-fitting detent. Due to the seat construction with pressure compensation on both sides, the flow through the valve is possible in both directions. The metallic sealing seat closes the valve practically leakage-free. The flameproof enclosure of the Ex-protection solenoid coil prevents an explosion in the interior from getting outside as well as a surface temperature capable of igniting.



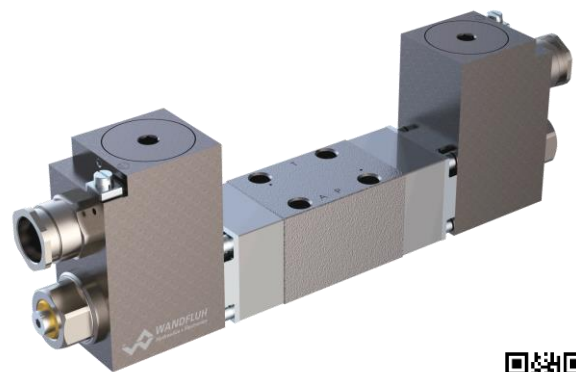
Actuator, controlled by a Wandfluh valve

APPLICATIONS

These valves are suitable for applications in explosion-hazard areas above ground as well as in mines. Poppet valves are used where tight closing functions like leakage-free load holding, clamping or gripping are essential.



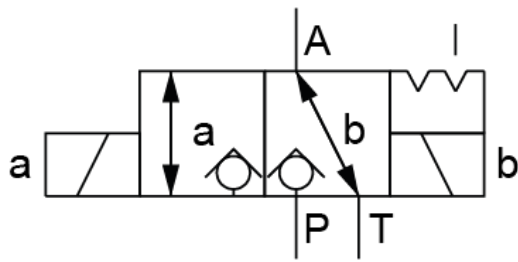
A_3206rr, leakage-free and detented



AExd3206rr, explosion protected, leakage-free and detented



SYMBOL



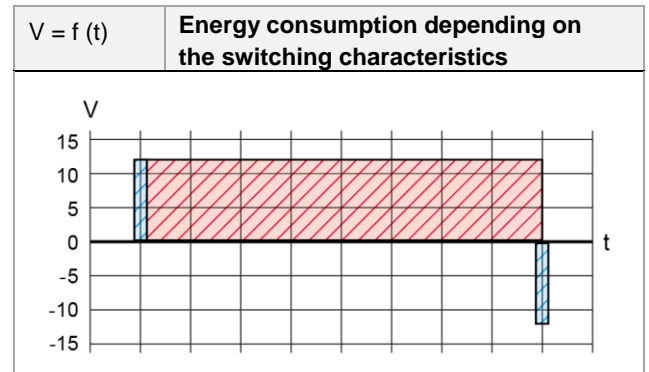
Symbol A_3206rr / AExd3206rr

CERTIFICATES

	Surface	Mining	Standard -25 °C bis...	Z604 -40 °C bis...
ATEX	x	x	x	x
IECEX	x	x	x	x
EAC	x	x	x	x
Australia	x	x	x	x
MA		x	x	
UL / CSA	x		x	x

The certificates can be found on www.wandfluh.com

SYMBOL



• Conventional valve • Detented valve

FEATURES

- Poppet valve
- Flange execution
- Direct operated
- 3/2-way
- Pressure tight switching solenoid
- Form fitting detent
- Leakage-free
- Standard or Ex-protection execution



Wandfluh AG | Helkenstrasse 13 | CH-3714 Frutigen

Phone +41 33 672 72 72 | Fax +41 33 672 72 82 | sales@wandfluh.com | www.wandfluh.com