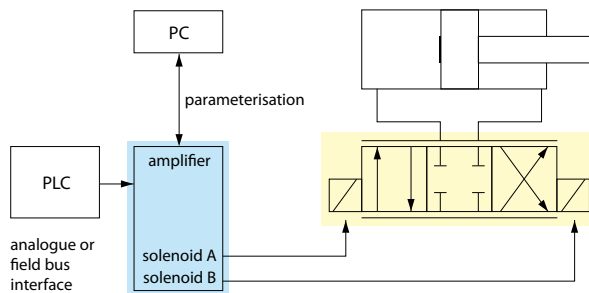


AXIS CONTROL

OPEN LOOP SYSTEM

► Proportional valve and amplifier electronics



Valves

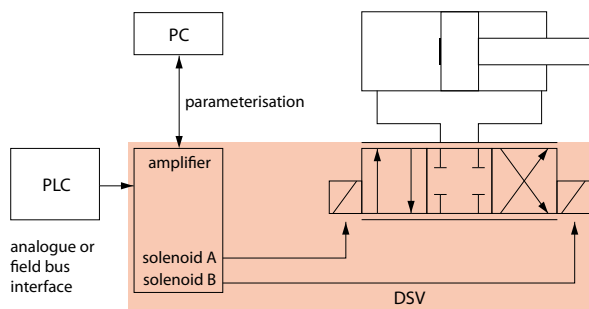
NG3-Mini	WDPFA03	1.10-65
NG4-Mini	BPW4x4	1.10-71
NG6	WDPFA06	1.10-75
NG10	APW4x10	1.10-90

Electronics

SD6 amplifier	1.13-100
(option field bus with Profibus DP)	

The standard solution with much flexibility

► Proportional valve with integrated amplifier electronics (DSV)

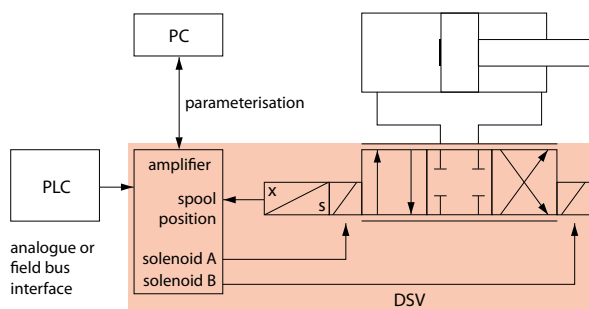


Valves (with option amplifier)

NG4-Mini	BVW4x4	1.10-72
NG6	WDVFA06	1.10-80
NG10	WDVFA10	1.10-50501
(option with CANopen or Profibus DP)		

The all-in-one solution for the simple application

► Proportional valve with integrated amplifier electronics (DSV) and spool position control (LVDT)



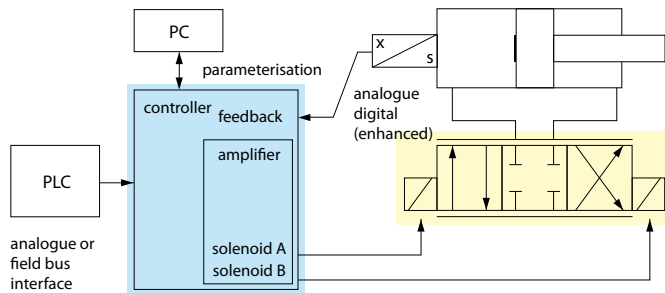
Valves (with option amplifier)

NG4-Mini	BRW4x4	1.10-70
NG6	WDRFA06	1.10-82
(option with CANopen or Profibus DP)		

The solution for higher demands of speed and reproducibility

CLOSED LOOP SYSTEM

► Proportional valve and controller electronics



Valves

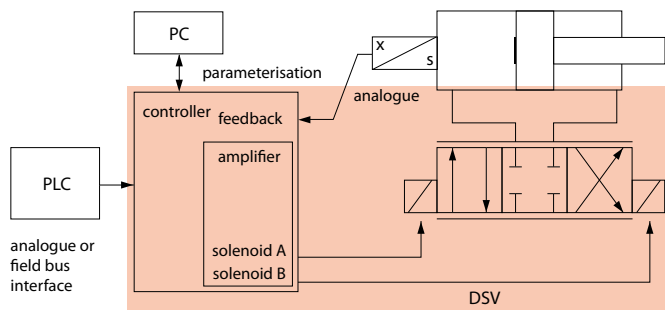
NG3-Mini	WDPFA03	1.10-65
NG4-Mini	BPW4x4	1.10-71
NG6	WDPFA06	1.10-75
NG10	APW4x10	1.10-90

Electronics

SD6 controller (basic or enhanced)	1.13-105
(option with Profibus DP)	

The standard controller solution flexibly adaptable to the requirements of the application

► Proportional valve with integrated controller electronics (DSV)

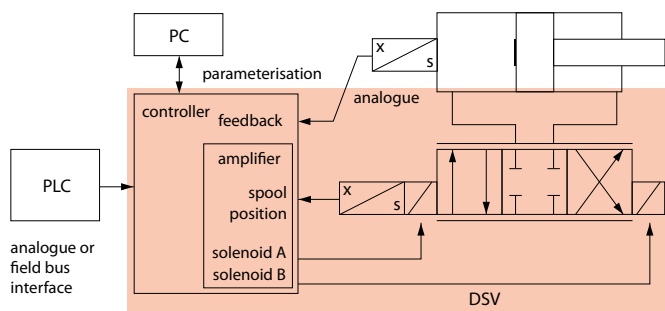


Valves (with option controller)

NG4-Mini	BVW4x4	1.10-72
NG6	WDVFA06	1.10-80
(option with CANopen or Profibus DP)		

The all-in-one solution for the simple control application

► Proportional valve with integrated controller electronics (DSV) and spool position control (LVDT)

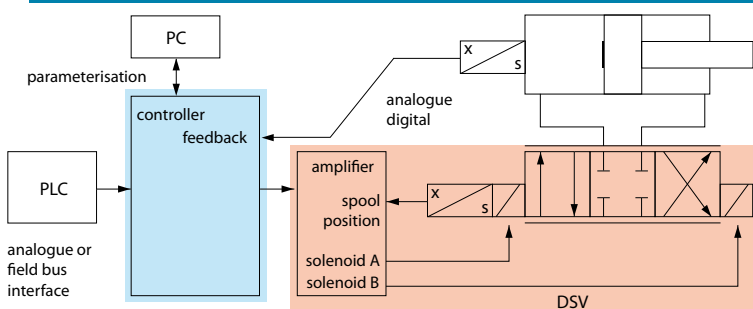


Valves (with option controller)

NG6	WDRFA06	1.10-82
(option with CANopen or Profibus DP)		

The dynamic and precise all-in-one controller solution

► Proportional valve with integrated amplifier electronics (DSV) and spool position control (LVDT) and controller electronics



Valves (with option amplifier)

NG4-Mini	BRW4x4	1.10-72
NG6	WDRFA06	1.10-80

Electronics

SD6 Controller (basic or enhanced)	1.13-105
(option with Profibus DP)	

The solution for high demands of the positioning accuracy, signal resolution and flexibility



Wandfluh AG
Hydraulik + Elektronik
Helkenstrasse 13
Postfach
CH-3714 Frutigen

Telefon +41 33 672 72 72
Telefax +41 33 672 72 82

sales@wandfluh.com
www.wandfluh.com

wandfluh.com