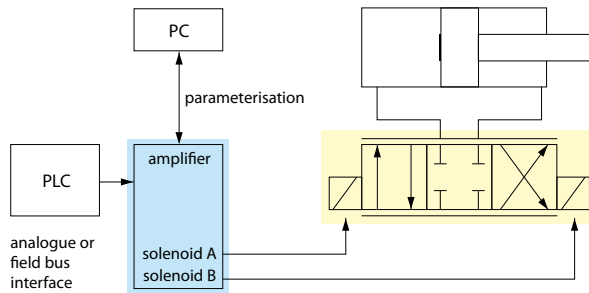


**AXIS CONTROL**

# OPEN LOOP SYSTEM

## ► Proportional valve and amplifier electronics



### Valves

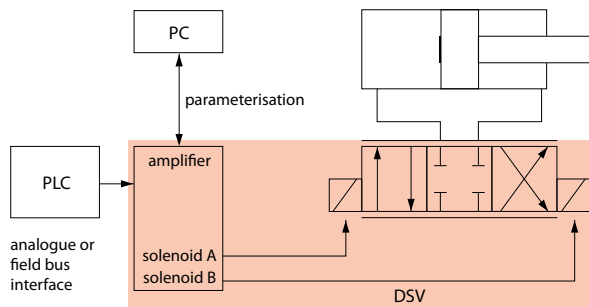
NG3-Mini	WDPFA03	1.10-65
NG4-Mini	BPW4x4	1.10-71
NG6	WDPFA06	1.10-75
NG10	APW4x10	1.10-90

### Electronics

SD6 amplifier	1.13-100
(option field bus with Profibus DP)	

The standard solution with much flexibility

## ► Proportional valve with integrated amplifier electronics (DSV)

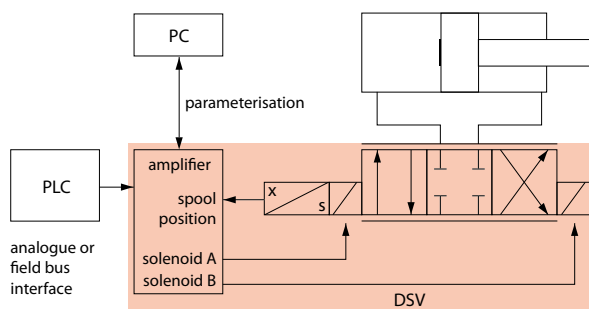


### Valves (with option amplifier)

NG4-Mini	BVW4x4	1.10-72
NG6	WDVFA06	1.10-80
NG10	WDVFA10	1.10-50501
(option with CANopen or Profibus DP)		

The all-in-one solution for the simple application

## ► Proportional valve with integrated amplifier electronics (DSV) and spool position control (LVDT)



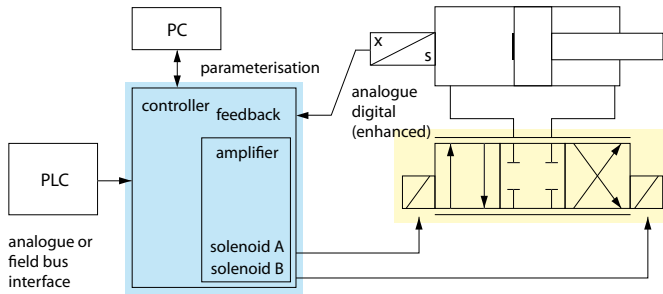
### Valves (with option amplifier)

NG4-Mini	BRW4x4	1.10-70
NG6	WDRFA06	1.10-82
(option with CANopen or Profibus DP)		

The solution for higher demands of speed and reproducibility

# CLOSED LOOP SYSTEM

## ► Proportional valve and controller electronics



### Valves

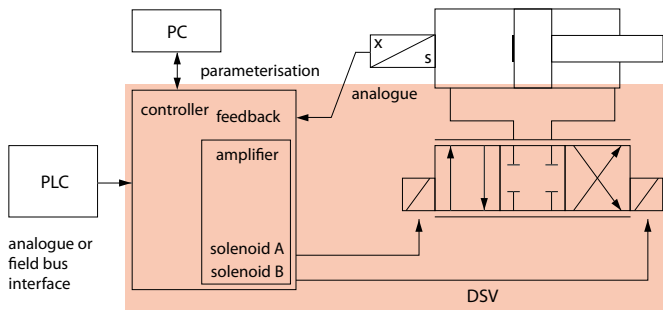
NG3-Mini	WDPFA03	1.10-65
NG4-Mini	BPW4x4	1.10-71
NG6	WDPFA06	1.10-75
NG10	APW4x10	1.10-90

### Electronics

SD6 controller (basic or enhanced)	1.13-105
(option with Profibus DP)	

The standard controller solution flexibly adaptable to the requirements of the application

## ► Proportional valve with integrated controller electronics (DSV)

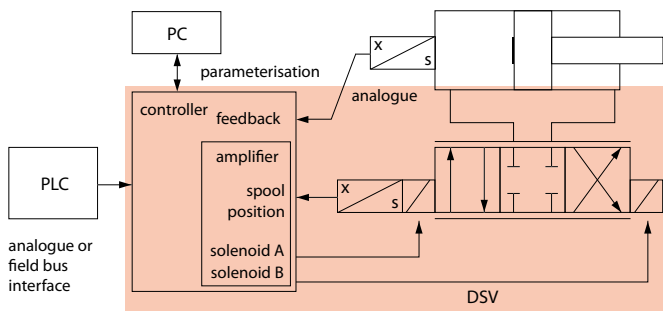


### Valves (with option controller)

NG4-Mini	BVW4x4	1.10-72
NG6	WDVFA06	1.10-80
(option with CANopen or Profibus DP)		

The all-in-one solution for the simple control application

## ► Proportional valve with integrated controller electronics (DSV) and spool position control (LVDT)

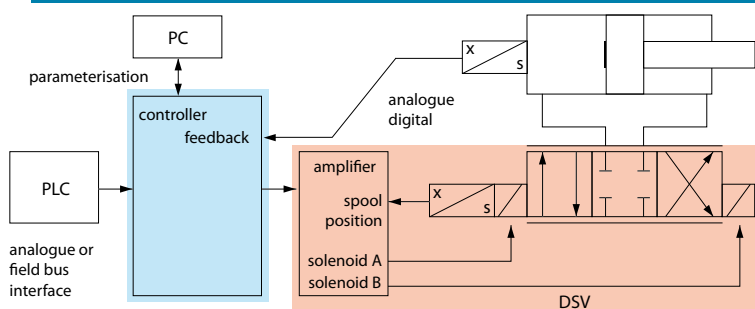


### Valves (with option controller)

NG6	WDRFA06	1.10-82
(option with CANopen or Profibus DP)		

The dynamic and precise all-in-one controller solution

## ► Proportional valve with integrated amplifier electronics (DSV) and spool position control (LVDT) and controller electronics



### Valves (with option amplifier)

NG4-Mini	BRW4x4	1.10-72
NG6	WDRFA06	1.10-80

### Electronics

SD6 Controller (basic or enhanced)	1.13-105
(option with Profibus DP)	

The solution for high demands of the positioning accuracy, signal resolution and flexibility



Wandfluh AG  
Hydraulik + Elektronik  
Helkenstrasse 13  
Postfach  
CH-3714 Frutigen

Telefon +41 33 672 72 72  
Telefax +41 33 672 72 82

[sales@wandfluh.com](mailto:sales@wandfluh.com)  
[www.wandfluh.com](http://www.wandfluh.com)

**wandfluh.com**