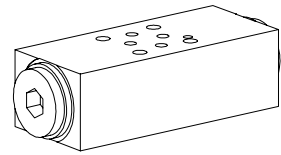


**Non-return valve
hydraulic pilot
Sandwich construction**

- $Q_{max} = 20 \text{ l/min}$
- $p_{max} = 350 \text{ bar}$

NG4
 ISO 4401-02

DESCRIPTION

Sandwich type non-return valve NG3-Mini with hydraulic pilot. The valves allow a free flow in one direction and shut off in the opposite direction. 3 different standard versions are available. The steel sandwich body is phosphatised. Good performance data and attractive design are the hall marks of this quality product.

FUNCTION

In the free flow direction, the volume flow opens the valve seat against a spring. The spring helps the valve close in the opposite direction. If pressure builds up in the opposite oil port, this displaces the pilot piston and opens the non-return valve of the closed port. The pilot pressure required is dependent on the pressure held by the valve seat.

APPLICATION

Pilot operated non-return valves are used to shut off pressurised hydraulic cylinders, e.g. in lifting or clamping fixtures, without leaking. The hydraulic cylinder can only be moved in the shut off direction if a directional valve directs the volume flow into the opposite port and releases the valve. Reliability in operation is increased by a directional valve which connects both oil ports to the tank in the neutral position. Sandwich type elements NG4-Mini mean that the system is highly flexible and save both space and weight.

CONTENT

GENERAL SPECIFICATIONS	1
HYDRAULIC SPECIFICATIONS	1
SYMBOLS / TYPES	1
CHARACTERISTICS	2
DIMENSIONS	2
PARTS LIST	2

TYPE CODE

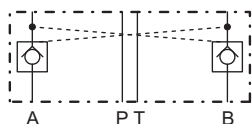
	RNXS	B04	-	<input type="text"/>	#	<input type="text"/>
Sandwich type, hydraulically operated, non-return valve						
International standard interface ISO, NG4						
Non-return valve in:						
A und B	<input type="checkbox"/>	AB	A	<input type="checkbox"/>	B	<input type="checkbox"/>
Design-Index (Subject to change)						

GENERAL SPECIFICATIONS

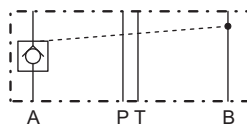
Description	Non-return valve hydraulic pilot
Nominal size	NG4 acc. to ISO 4401-02
Construction	Sandwich construction
Mounting	4 holes for socket cap screws M5 or studs M5
Connections	Connection plates Multistation flange subplate Longitudinal stacking system
Ambient temperature	-20...+50°C
Mounting position	any
Fastening torque	$M_D = 5,5 \text{ Nm}$ (Quality 8,8)
Weight	$m = 0,85 \text{ kg}$

HYDRAULIC SPECIFICATIONS

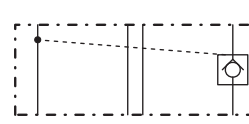
Fluid	Mineral oil, other fluid on request
Contamination efficiency	ISO 4406:1999, class 20/18/14 (Required filtration grade $\beta_{10...16} \geq 75$) refer to data sheet 1.0-50/2
Viscosity range	12 mm ² /s...320 mm ² /s
Fluid temperature	-20...+70°C
Peak pressure	$p_{max} = 350 \text{ bar}$
Opening pressure	$p_o = 2 \text{ bar}$
Pilot ratio	$i = 1:8$
Max. volume flow	$Q_{max} = 20 \text{ l/min}$

SYMBOLS / TYPES


RNXSB04-AB



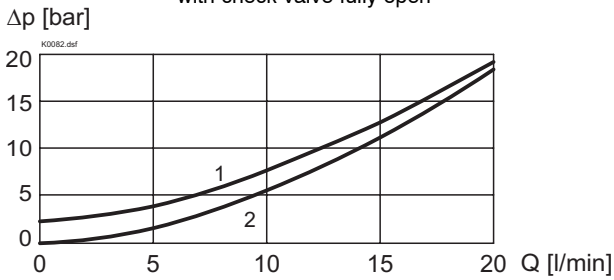
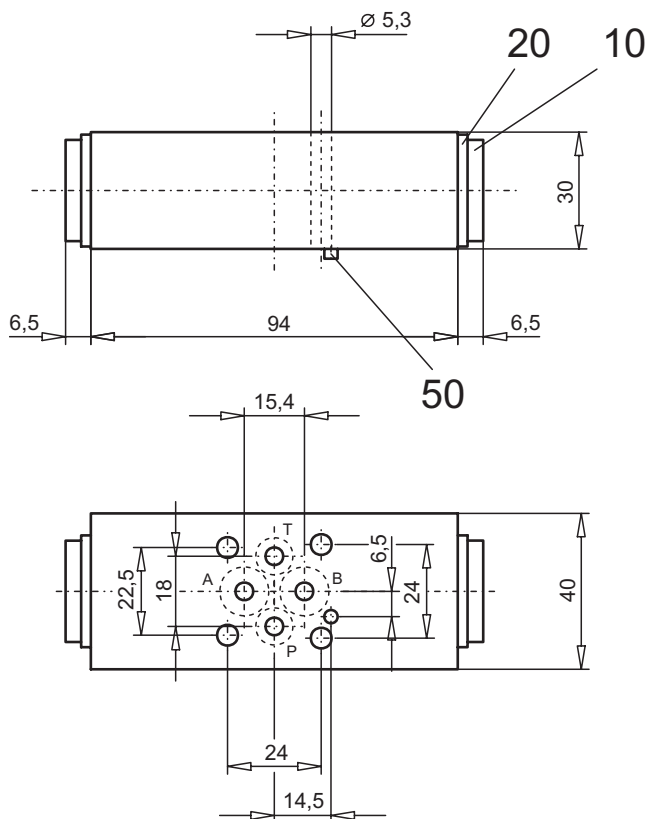
RNXSB04-A



RNXSB04-B

CHARACTERISTICS Oil viscosity $\nu = 30 \text{ mm}^2/\text{s}$

$\Delta p = f(Q)$ Pressure drop characteristic
 1 Pressure drop A \rightarrow Cyl. or B \rightarrow Cyl.
 2 Pressure drop Cyl. \rightarrow A or Cyl. \rightarrow B
 with check valve fully open


DIMENSIONS

ERSATZTEILLISTE

Position	Article	Description
10	239.2003	Plug G1/2"
20	49.2212	Bounded seal 21,5x28,7x2,5
30	160.2060	O-Ring ID 6,07x1,78
40	160.2093	O-Ring ID 9,25x1,78
50	221.2253	Spring tension pins $\varnothing 3 \times 6$

Technical explanation see data sheet 1.0-100E