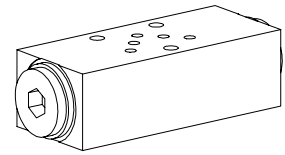


**Non-return valve  
hydraulic pilot  
Sandwich construction**

- $Q_{max} = 20 \text{ l/min}$
- $p_{max} = 315 \text{ bar}$

**NG4-Mini<sup>®</sup>**

**DESCRIPTION**

Sandwich type non-return valve NG4-Mini with hydraulic pilot with interface according to Wandfluh standard. The valves allow a free flow in one direction and shut off in the opposite direction. 3 different standard versions are available. The steel sandwich body is phosphatised. Good performance data and attractive design are the hall marks of this quality product.

**FUNCTION**

In the free flow direction, the volume flow opens the valve seat against a spring. The spring helps the valve close in the opposite direction. If pressure builds up in the opposite oil port, this displaces the pilot piston and opens the non-return valve of the closed port. The pilot pressure required is dependent on the pressure held by the valve seat.

**APPLICATION**

Pilot operated non-return valves are used to shut off pressurised hydraulic cylinders, e.g. in lifting or clamping fixtures, without leaking. The hydraulic cylinder can only be moved in the shut off direction if a directional valve directs the volume flow into the opposite port and releases the valve. Reliability in operation is increased by a directional valve which connects both oil ports to the tank in the neutral position. Sandwich type elements NG4-Mini mean that the system is highly flexible and save both space and weight.

**CONTENT**

GENERAL SPECIFICATIONS .....	1
HYDRAULIC SPECIFICATIONS .....	1
SYMBOLS / TYPES .....	1
CHARACTERISTICS .....	2
DIMENSIONS .....	2
PARTS LIST .....	2

**TYPE CODE**

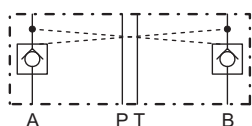
Interface	B		4	#	
Type description for non-return valve hydraulic pilot: In A and B					
In A	ERVA	in B	ERVB		
Nominal size 4-Mini					
Design-Index (Subject to change)					

**GENERAL SPECIFICATIONS**

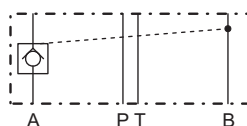
Description	Non-return valve hydraulic pilot
Nominal size	NG4-Mini acc. to Wandfluh standard
Construction	Sandwich construction
Mounting	3 holes for hexagon socket screw M5 or studs M5
Connections	Connection plates Multistation flange subplate Longitudinal stacking system
Ambient temperature	-20...+50°C
Mounting position	any
Fastening torque	$M_D = 5,5 \text{ Nm}$ (Quality 8.8)
Weight	$m = 0,85 \text{ kg}$

**HYDRAULIC SPECIFICATIONS**

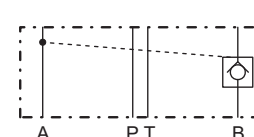
Fluid	Mineral oil, other fluid on request
Contamination efficiency	ISO 4406:1999, class 20/18/14 (Required filtration grade $\beta_{10...16} \geq 75$ ) (refer to data sheet 1.0-50)
Viscosity range	12 mm <sup>2</sup> /s...320 mm <sup>2</sup> /s
Fluid temperature	-20...+70°C
Peak pressure	$p_{max} = 315 \text{ bar}$
Opening pressure	$p_o = 2 \text{ bar}$
Pilot ratio	$i = 1:8$
Max. volume flow	$Q_{max} = 20 \text{ l/min}$

**SYMBOLS / TYPES**


BDERV4



BERVA4



BERVB4

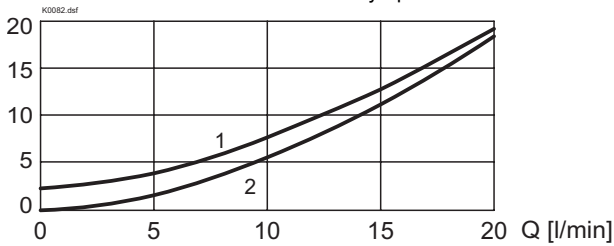
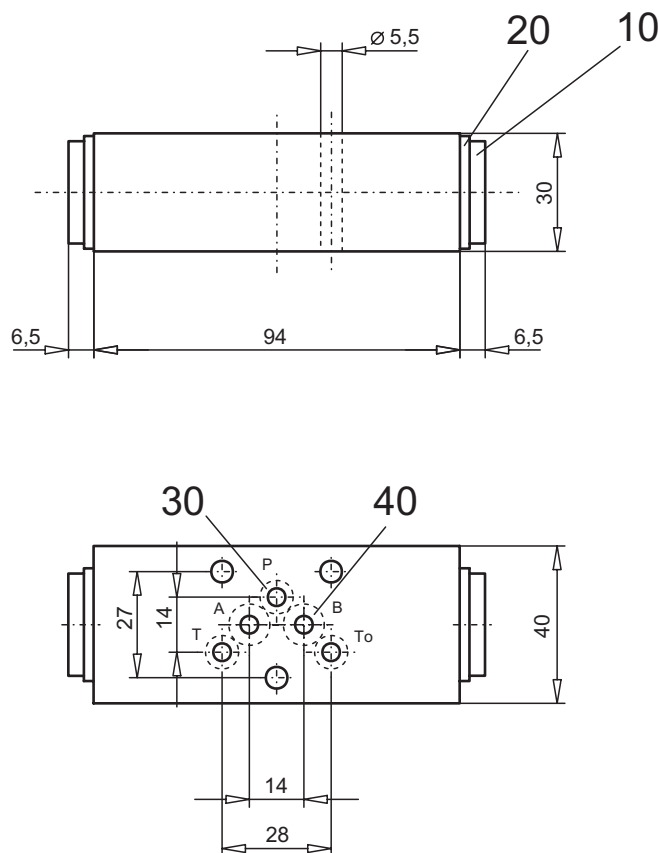
**CHARACTERISTICS** Oil viscosity  $\nu = 30 \text{ mm}^2/\text{s}$ 
 $\Delta p = f(Q)$ 

Pressure drop characteristic

1 Pressure drop A --&gt; Cyl. or B --&gt; Cyl.

2 Pressure drop Cyl. --&gt; A or Cyl. --&gt; B

with check valve fully open

 $\Delta p$  [bar]

**DIMENSIONS**

**PARTS LIST**

Position	Article	Description
10	239.2003	Plug G1/4"
20	49.2212	Bounded seal 21,5x28,7x2,5
30	160.2052	O-Ring ID 5,28x1,78
40	160.2076	O-Ring ID 7,65x1,78

Technical explanation see data sheet 1.0-100E