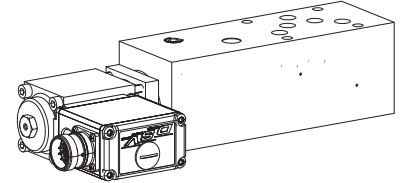
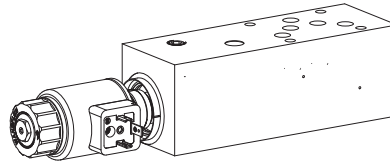


- Proportional 3-way flow control valve**
Flange- and sandwich construction
- Direct operated, pressure compensated
 - $p_{max} = 350 \text{ bar}$

NG10
 ISO 4401-05



DESCRIPTION

Direct operated, pressure compensated proportional flow control valve in flange- and sandwich construction. Proportional flow control screw-in cartridges M33x2 acc. to ISO 7789 are installed. The flange body is painted, the sandwich plates are phosphatised.

FUNCTION

The 3-way flow control valve is designed to keep the oil flow to any actuator constant irrespective of the load.

APPLICATION

Proportional 3-way flow control valves are used where the supply volume flow has to be kept constant even when the load fluctuates. Depending on the application, a distinction is made between restricting the forward flow or the return flow.

TYPE CODE

Flow control valve	Q	D	<input type="checkbox"/>	<input type="checkbox"/>	A10 -	<input type="checkbox"/>	-	<input type="checkbox"/>	#	<input type="checkbox"/>
3-way-construction										
Proportional										
Proportional with integrated electronics										
Flange construction										
Sandwich construction										
International mounting interface ISO, NG10										
Type list / Function:										
Flange, flow control from A to B										
Sandwich, meter-in flow control in P										
Nominal volume flow level, etc.: see data sheet of the installed screw-in cartridges										
Examples:										
QDPFA10 - A/B -										
QDVSA10 - P -										
Design-Index (Subject to change)										

GENERAL SPECIFICATIONS

Description	Proportional 3-way flow control valve	
Nominal size	NG10 acc. to ISO 4401-05	
Construction	Flange- and sandwich construction	
Operations	Proportional solenoid	
Mounting	4 holes for socket cap screws M6 or studs screws M6	
Connection	Threaded connection plates Multi-flange subplate Longitudinal stacking system	
Weight	• Flange type	m = 2,40 kg
(without screw-in cartridge)	• Sandwich type	m = 3,75 kg

SCREW-IN CARTRIDGES INSTALLED

The following screw-in cartridges are used in either the flange body or the sandwich body:

Type	Description	Data sheet no.	Qmax*
QDPPM33	3-way-construction	2.6-666	100 l/min
QDPPM33 **	3-way-construction	2.6-665	100 l/min
QDVPM33	3-way-construction, with integrated electronics	2.6-667	100 l/min

* Can deviate from the values on the data sheets of the screw-in cartridges.
 ** Do not use anymore for new applications.


REMARK!

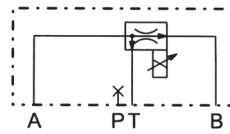
Detailed performance data and additional hydraulic and electric specifications may be drawn from the data sheets of the corresponding installed screw-in cartridge.


CAUTION!

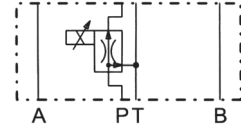
The performance data especially the „**pressure-flow-characteristic**„ on the data sheets of the screw-in cartridges refer to the screw-in cartridges only. The additional pressure drop of the flange body respectively sandwich body must be taken into consideration.

TYPE CHARTS

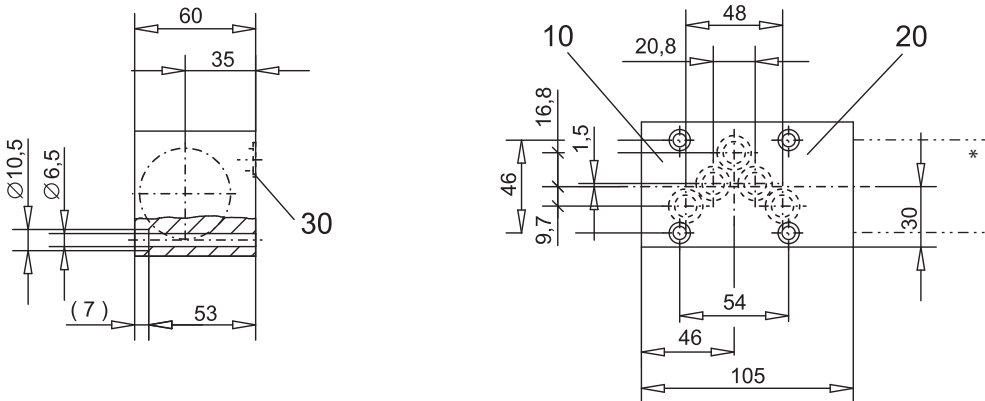
QD.FA10-A/B



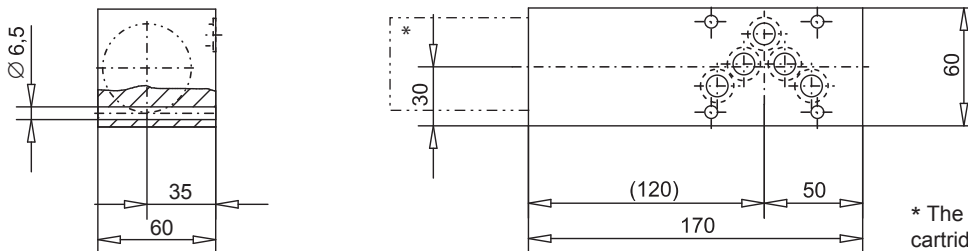
QD.SA10-P


DIMENSIONS

Flange construction QD.FA10-A/B



Sandwich construction QD.SA10-P



* The envelop dimensions of the screw-in cartridge are shown on their corresponding data sheets.

PARTS LIST

Position	Article	Description
10	136.6204	Flange body
	136.6639	Sandwich plate P
20	650.8...	Screw-in cartridge
30	160.2140	O-ring ID 14,00x1,78

ACCESSORIES

Proportional amplifier

register 1.13

Technical explanation see data sheet 1.0-100