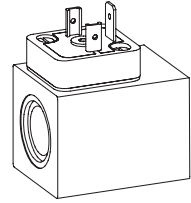


**Solenoid coil M.E35/16x40
 to VDE 0580
 Protection class IP65**

DESCRIPTION

The slip-on solenoid coil M.E35/16x40 is available with different types of electric connections (see type code). The construction corresponds to standard VDE 0580.

FUNCTION

In combination with the corresponding armature tube the function of an on-off solenoid or proportional solenoid will be obtained. The AC voltage type incorporates a rectifier. The available AC voltages are listed in the type code section.

APPLICATION

Due to its robust design the coil is mainly intended for hydraulic applications.

TYPE CODE

Metal housing, square <i>Electric connection:</i> Connector socket EN 175301-803 / ISO 4400 Connector socket AMP Junior-Timer Flying leads execution Coil types Internal coil diameter 16 mm Coil length 40 mm Standard-nominal voltage U_N : 12 VDC 24 VDC 115 VAC 230 VAC * AC-Execution: - Only with connection type: «D» - 50 to 60 Hz - Rectifier integrated in the plug plate - Other nominal voltages and nominal power on request	M <input type="checkbox"/> E35 / 16 x 40 - <input type="checkbox"/> # <input type="checkbox"/> <div style="display: flex; flex-direction: column; align-items: center;"> <div style="border: 1px solid black; padding: 2px; margin-bottom: 2px;">D</div> <div style="border: 1px solid black; padding: 2px; margin-bottom: 2px;">J</div> <div style="border: 1px solid black; padding: 2px; margin-bottom: 2px;">L</div> </div> <div style="display: flex; flex-direction: column; align-items: center; margin-top: 10px;"> <div style="border: 1px solid black; padding: 2px; margin-bottom: 2px;">G12</div> <div style="border: 1px solid black; padding: 2px; margin-bottom: 2px;">G24</div> <div style="border: 1px solid black; padding: 2px; margin-bottom: 2px;">R115 *</div> <div style="border: 1px solid black; padding: 2px; margin-bottom: 2px;">R230 *</div> </div>
Design-Index (Subject to change)	

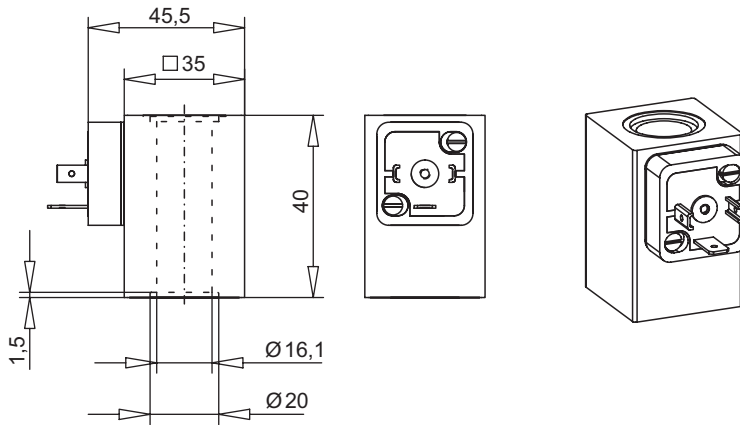
SPECIFICATIONS

		12 VDC	24 VDC	115 VAC	230 VAC
Coil winding	min. H (180 °C)				
insulation class					
Relative duty factor	100% DF / ED when mounted on armature tube and valve	Nominal power (On/off function)	20	20	20
Ambient temperature	-20...+90 °C	Nominal resistance (Ω)	7,5	29	530
Voltage range	10–250 VDC 24–250 VAC	Weight of solenoid coil (kg)	0,28	0,28	0,28

SAFE OPERATION

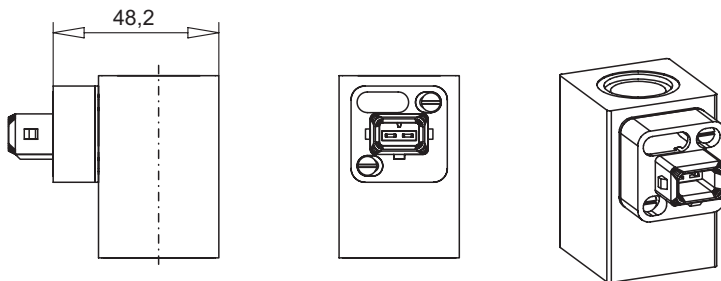
Caution: To avoid overheating the coil may only be energised when mounted on an armature tube and valve.

TYPE LISTE / DIMENSIONS / GENERAL SPECIFICATIONS



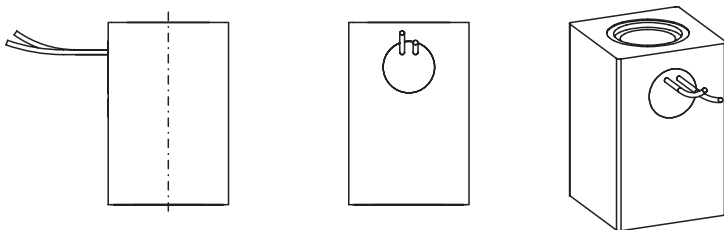
Execution: M **D** E35/16x40-...

- 3 contacts 2 P+E
- DC- and AC-execution available
- Connector socket plastic
- Protection class IP65
- With corresponding mating connector and professional assembly.



Execution: M **J** E35/16x40-...

- 2 contacts 2P
- DC-execution available
- only for $U_N \leq 75$ VDC
- Connector socket plastic
- Protection class IP65
- With corresponding mating connector and professional assembly.



Execution: M **L** E35/16x40-...

- 2 leads 2P (2x 0,25 mm²) Radox 155
- Cable length 500 mm
- DC-execution available
- only for $U_N \leq 75$ VDC
- Protection class IP65
- With professional assembly.

Technical explanation see data sheet 1.1-400