

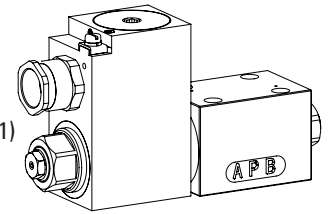
Solenoid operated spool valve

Flange construction

- ◆ 4/2-way impulse valve
- ◆ 4/3-way with spring centred mid position
- ◆ 4/2-way with spring reset
- ◆ $Q_{max} = 80 \text{ l/min}$
- ◆ $p_{max} = 350 \text{ bar}$

NG6 ISO 4401-03

Ex db IIC T6, T4 Gb (Zone 1)
 Ex tb III C T80 °C, T130 °C Db (Zone 21)
 Ex db I Mb
 ⓧ II 2 G Ex db IIC T6, T4
 ⓧ II 2 D Ex tb III C T80 °C, T130 °C
 ⓧ I M2 Ex db I Mb
 Class I, Division 1, Group A, B, C, D T4
 Class II & III, Division I, Group E, F, G T4



DESCRIPTION

Direct operated solenoid spool valve with 4 connections in 5 chamber design. With the solenoids deenergised, the spool is held in the center position by the spring (4/3), or switched back to the offset position (4/2). With the impulse spool (4/2), the spool is held in the switching position by the detent. The pressure tight encapsulated Ex-protection solenoid coil prevents an explosion on the inside penetrating to the outside as well as an ignitable surface temperature.

APPLICATION

These valves are suitable for applications in explosion-hazard areas, open cast and also in mines. Spool valves are mainly used for controlling direction of movement and stopping of hydraulic cylinders and motors.

CERTIFICATES

	Surface	Mining	Standard -25 °C to...	Z604 -40 °C to...
ATEX / UKEX	x	x	x	x
IECEx	x	x	x	x
CCC	x	x	x	x
EAC	x	x	x	x
Australia	x	x	x	x
MA		x	x	
USA / Canada	x		x	x
PESO	x		x	x

The certificates can be found on www.wandfluh.com

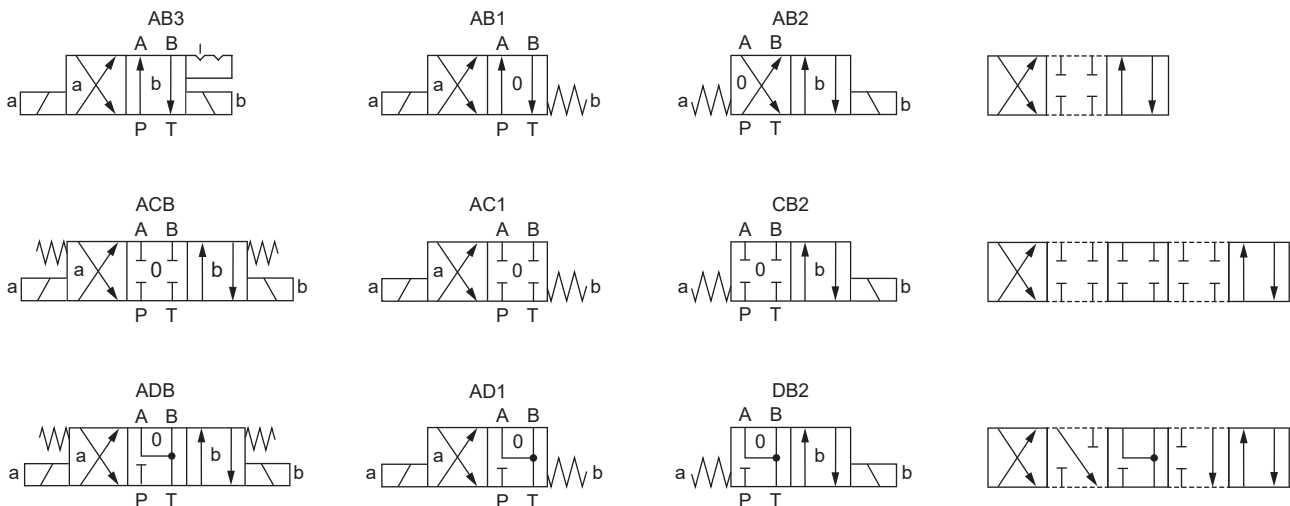
ACTUATION

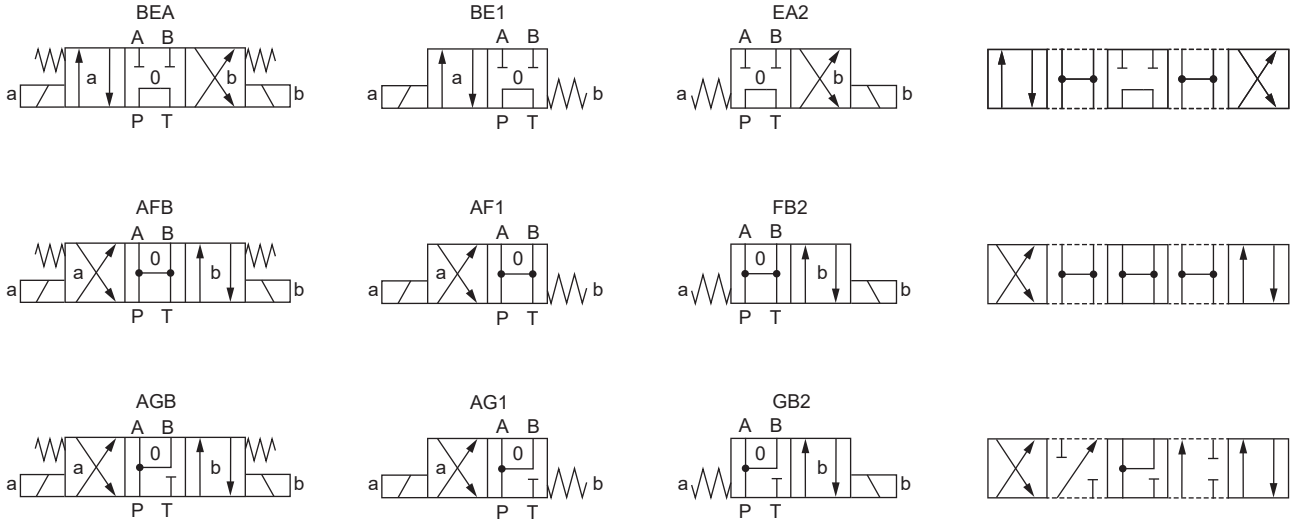
Actuation	Switching solenoid, wet pin push type, pressure tight
Execution	MKY45 / 18x60 (Data sheet 1.1-183)
Connection	Cable gland for cable Ø 6,5... 14 mm

Attention! The UC execution is always supplied without cable gland



SYMBOL




TYPE CODE

		WD Y F A06 - <input type="text"/> - <input type="text"/> / <input type="text"/> / <input type="text"/> - <input type="text"/> # <input type="text"/>			
Spool valve direct operated					
Explosion proof execution Ex d					
Flange construction					
International standard interface ISO, NG6					
Designation of symbols acc. to table					
Nominal voltage U_N	12 VDC <input type="checkbox"/> 24 VDC <input type="checkbox"/>	<input type="checkbox"/> G12 <input type="checkbox"/> G24	115 VAC <input type="checkbox"/> 230 VAC <input type="checkbox"/>	<input type="checkbox"/> R115 <input type="checkbox"/> R230	
Nominal power P_N	9 W <input type="checkbox"/> 15 W <input type="checkbox"/>	<input type="checkbox"/> L9 <input type="checkbox"/> L15	<i>Ambient temperature up to:</i> 40 °C or 90 °C <input type="checkbox"/> 70 °C <input type="checkbox"/>		
Certification	ATEX, UKEX, IECEx, CCC, EAC <input type="checkbox"/>	Australia <input type="checkbox"/> MA <input type="checkbox"/>	USA / Canada <input type="checkbox"/> India <input type="checkbox"/>	<input type="checkbox"/> UC-M187 <input type="checkbox"/> PE	
Sealing material	NBR <input type="checkbox"/> FKM (Viton) <input type="checkbox"/> NBR -40 °C <input type="checkbox"/>	<input type="checkbox"/> D1 <input type="checkbox"/> y-Z604	(only with 15 W)		
Design index (subject to change)					

1.3-34

GENERAL SPECIFICATIONS

Designation	4/2-, 4/3-spool valve
Construction	Direct operated
Mounting	Flange construction
Nominal size	NG6 according to ISO 4401-03
Actuation	Ex-protection switching solenoid
Ambient temperature	Operation as T6 -25...+40 °C (L9) Operation as T4 -25...+90 °C (L9) -25...+70 °C (L15) -40...+70 °C (L15)
Weight	2,8 kg (1 solenoid) 4,6 kg (2 solenoids)
MTTFd	150 years

ELECTRICAL SPECIFICATIONS

Protection class	IP65 / 66 / 67
Relative duty factor	100 % DF
Switching frequency	12'000 / h
Voltage tolerance	± 10 % with regard to nominal voltage
Standard nominal voltage	12 VDC, 24VDC, 115 VAC, 230 VAC AC = 50 to 60 Hz ± 2 %, with built-in two-way rectifier
Standard nominal power	9 W, 15 W
Temperature class	Nominal power 9 W: T1...T6 Nominal power 15 W: T1...T4

Note! Other electrical specifications see data sheet 1.1-183



HYDRAULIC SPECIFICATIONS

Working pressure	$p_{max} = 350 \text{ bar}$
Tank pressure	$p_{Tmax} = 200 \text{ bar}$
Maximum volume flow	$Q_{max} = 80 \text{ l/min}$, see characteristics
Leakage oil	See characteristics
Fluid	Mineral oil, other fluid on request
Viscosity range	12 mm ² /s...320 mm ² /s
Temperature range fluid	Operation as T6 NBR -25...+40 °C (L9) FKM -20...+40 °C (L9) Operation as T4 NBR -25...+70 °C (L9 or L15) FKM -20...+70 °C (L9 or L15) NBR 872 -40...+70 °C (L15)
Contamination efficiency	Class 20 / 18 / 14
Filtration	Required filtration grade $\beta_{10...16} \geq 75$, see data sheet 1.0-50

MANUAL OVERRIDE

HB4,5 as standard
 Optionally: HN (K)
 → see data sheet 1.1-311

SURFACE TREATMENT

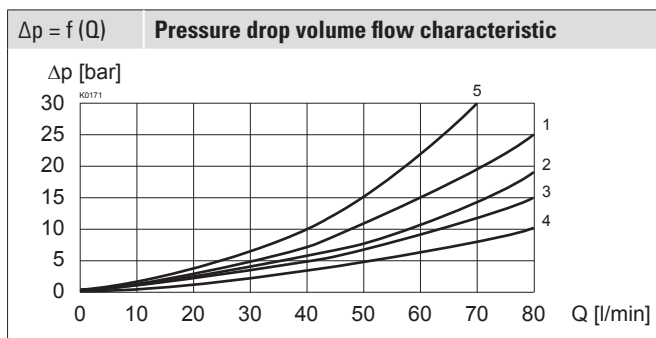
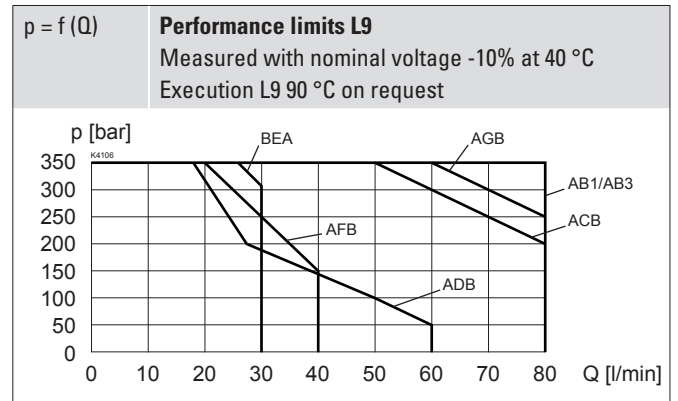
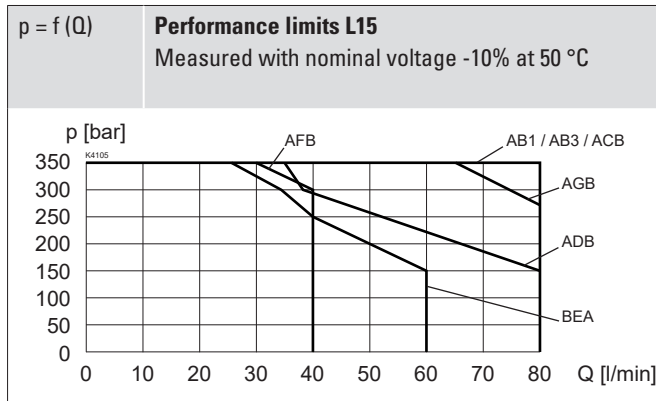
The valve body, the armature tube, the slip-on coil and the screw plug are zinc-nickel coated.

COMMISSIONING

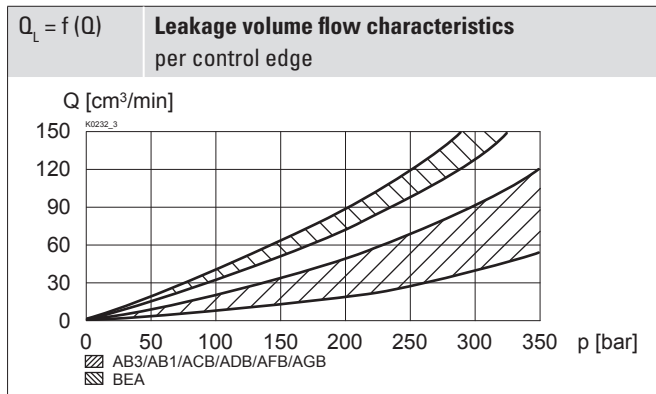
Attention! The solenoid coil must only be put into operation, if the requirements of the operating instructions supplied are observed to their full extent. In case of non-observance, no liability can be assumed.



PERFORMANCE SPECIFICATIONS

 Oil viscosity $\nu = 30 \text{ mm}^2/\text{s}$


Symbol	Flow direction				
	P - A	P - B	P - T	A - T	B - T
AB1	2	2	-	1	1
AB3	2	2	-	1	1
ACB	2	2	-	1	1
ADB	2	2	-	3	3
BEA	2	2	5	2	2
AFB	4	4	-	3	3
AGB	4	4	-	1	1


Note!


With the L15 execution for ambient temperatures up to 70 °C, the performance specifications have been evaluated with an ambient temperature of 50 °C

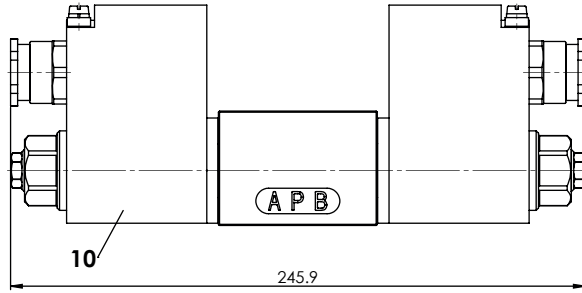
Attention!


For valves for the temperature ranges „-40 °C to...” (Z604) the leakage volume flow can be up to eight times higher.

DIMENSIONS

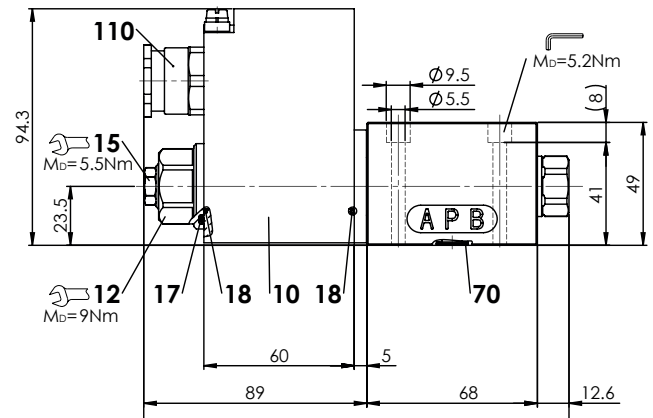
4/3-way spool valve (spring centring)

4/2-way spool valve (impulse)

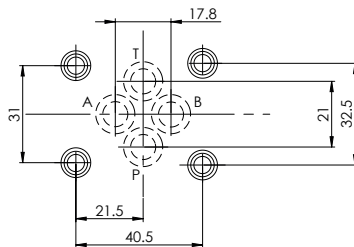


Dimensions of the solenoid coil, refer to data sheet 1.1-183

4/2-way spool valve (spring reset)



HYDRAULIC CONNECTION



SEALING MATERIAL

NBR or FKM (Viton) as standard, choice in the type code

ACCESSORIES

Fixing screws	Data sheet 1.0-60
Threaded subplates	Data sheet 2.9-30
Multi-station subplates	Data sheet 2.9-60
Module type manifold blocks	Data sheet 2.9-100
Technical explanations	Data sheet 1.0-100
Filtration	Data sheet 1.0-50
Relative duty factor	Data sheet 1.1-430

STANDARDS

Explosion protection	Directive 2014 / 34 / EU (ATEX)
Flameproof enclosure	EN / IEC / UL 60079-1, 31
Cable entry	EN 60079-0, 1, 7, 15, 31
Mounting interface	ISO 4401-03
Protection class	EN 60 529
Contamination efficiency	ISO 4406

PARTS LIST

Position	Article	Description
10	263.6...	Solenoid coil MK.45 / 18 x 60
12	154.2603	Knurled nut Ex M18 x 1,5 x 18
15	253.8001	HB6 Manual override „-25 °C to...“
	253.8025	HB6-Z604 Manual override „-40 °C to...“
110	111.1080	Cable gland M20 x 1,5
	251.2218	Seal kit WDYFA06

Seal kit consisting of:

17	O-ring	ID 25,07 x 2,62
18	O-ring	ID 17,17 x 1,78
70	O-ring	ID 9,25 x 1,78

INSTALLATION NOTES

Mounting type	Flange mounting 4 fixing holes for socket head screws M5 x 50
Mounting position	Any, preferably horizontal
Tightening torque	Fixing screws $M_D = 5,2 \text{ Nm}$ (screw quality 8.8, zinc coated) $M_D = 9 \text{ Nm}$ knurled nut

Note!



The length of the fixing screw depends on the base material of the connection element.

Attention!



For stack assembly please observe the remarks in the operating instructions